

ENVISION™

GEOTHERMAL/WATER SOURCE
OUTDOOR SPLIT HEAT PUMP
2 TO 6 TONS DUAL CAPACITY



WaterFurnace
Smarter from the Ground Up™



Table of Contents

Model Nomenclature	5
AHRI Data	6
Design Features	7
NDS Split Features	8
Physical Data	8
Electrical Data	8
Physical Dimensions and Piping Connections	9
Model Nomenclature - Envision Air Handler	10
Air Handler Capatibility	10
Line Set Sizes	11
Physical Data - Envision Air Handler	11
Model Nomenclature - Envision Coil	12
Refrigerant Compatibility	12
Reference Calculations	13
Legend and Notes	13
Operating Limits	13
Performance Data	14-23
Wiring Schematics	24-27
Microprocessor Control Features and Operation	28-31
Engineering Guide Specifications	32



Envision Series outdoor splits are designed for either indoor or outdoor installations, and are connected to an indoor air handler via refrigerant lines and control wiring. NDS units utilize the ozone-safe R-410A refrigerant to meet the most stringent EPA requirements now and for many years to come. Easily accessible controls and connections for refrigerant piping and water piping make this unit simple to install in a wide variety of applications. Heavy gauge metal cabinets are coated with durable poly paint for long lasting beauty and protection. For outdoor installations that require an aesthetic touch, an optional decorative rock cover is available in four colors (brown granite, gray granite, salt and pepper, and charcoal basalt). Whether the unit is installed indoors or out, the Envision Series split will provide exceptional performance and comfort for many years. And because there is no outdoor blower like ordinary air conditioners or heat pumps, the NDS is “whisper quiet”.

Envision Series units are performance-certified to AHRI ISO 13256-1 standards, are ETL Safety listed, and are ENERGYSTAR® qualified.

As a leader in the industry, WaterFurnace is dedicated to innovation, quality and customer satisfaction. In fact, every unit built is exposed to a wide range of quality control procedures throughout the assembly process and is then subjected to a rigorous battery of computerized run tests to certify that it meets or exceeds performance standards for efficiency and safety, and will perform flawlessly at startup. As further affirmation of our quality standards, each unit carries our exclusive Quality Assurance emblem, signed by the final test technician.

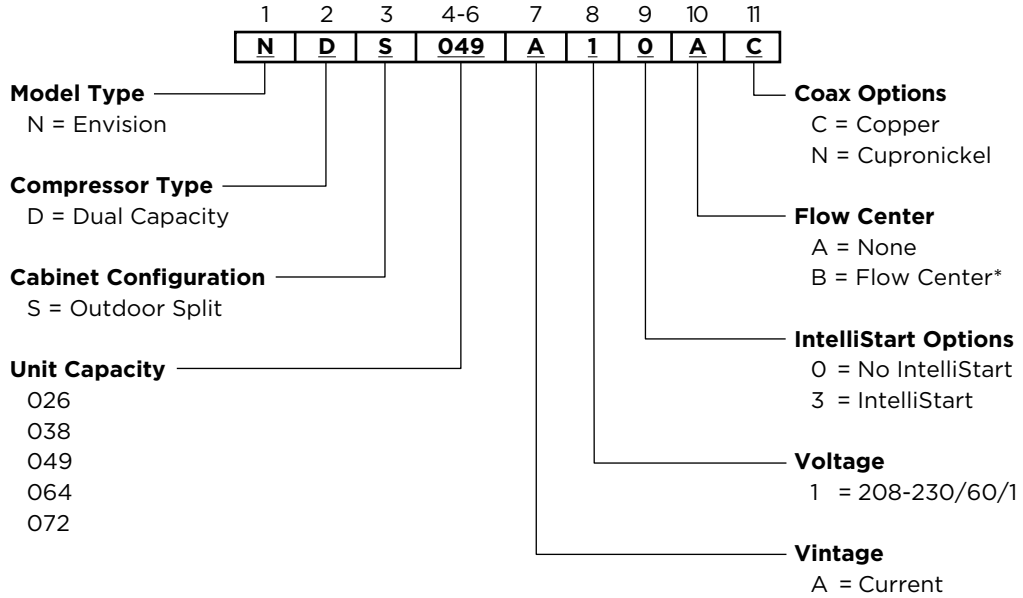
WaterFurnace International’s corporate headquarters and manufacturing facility is located in Fort Wayne, IN. A scenic three-acre pond located in front of the building serves as our geothermal heating and cooling source to comfort-condition our 110,000 square feet of manufacturing and office space. As a pioneer, and now a leader in the industry, the team of WaterFurnace engineers, customer support staff and skilled assembly technicians is dedicated to providing the finest comfort systems available.

By choosing or specifying WaterFurnace Envision Series products, you can be assured that your customer is investing in an exceptional comfort system and peace of mind for many years to come.



All Envision Series product is safety listed under UL1995 thru ETL and performance listed with AHRI in accordance with standard 13256-1. The Envision Series is also Energy Star rated.

Model Nomenclature



NOTE: *026-049 uses the FC1-GL and 060-072 uses the FC2-GL, the flow center is factory installed. If these flow centers do not meet the flow requirements, select A = None for digit 10.

AHRI Data

Model	Capacity Modulation	Flow Rate		Water Loop Heat Pump				Ground Water Heat Pump				Energy Star Rated
				Cooling Brine EWT 86°F		Heating Brine EWT 68°F		Cooling EWT 59°F		Heating EWT 50°F		
		gpm	cfm	Capacity Btuh	EER Btuh/W	Capacity Btuh	COP	Capacity Btuh	EER Btuh/W	Capacity Btuh	COP	
026	Full	8	900	25,000	14.6	30,500	5.1	27,800	21.8	25,000	4.6	Yes
	Part	7	700	18,500	16.6	22,000	5.6	21,300	28.4	17,700	4.8	Yes
038	Full	9	1200	34,000	14.6	40,100	5.0	34,300	20.4	33,100	4.5	Yes
	Part	8	800	25,000	16.6	30,000	5.3	25,200	27.0	24,400	4.4	Yes
049	Full	12	1500	45,900	14.0	56,800	4.7	50,500	20.2	46,700	4.4	Yes
	Part	11	1300	35,000	16.2	43,000	5.5	37,300	25.8	33,000	4.7	Yes
064	Full	16	1800	56,300	14.7	67,100	4.6	63,800	19.2	55,800	4.3	Yes
	Part	14	1500	42,900	15.7	49,500	5.1	50,000	24.9	41,000	4.3	Yes
072	Full	18	1800	60,400	13.3	80,600	4.6	67,900	17.8	63,100	3.9	Yes
	Part	16	1600	49,700	14.6	60,200	4.8	57,200	22.8	48,400	4.0	Yes

Model	Capacity Modulation	Flow Rate		Ground Loop Heat Pump				Energy Star Rated
				Cooling Brine Full Load 77°F Part Load 68°F		Heating Brine Full Load 32°F Part Load 41°F		
		gpm	cfm	Capacity Btuh	EER Btuh/W	Capacity Btuh	COP	
026	Full	8	900	26,200	17.0	19,500	3.9	Yes
	Part	7	700	21,000	24.5	16,200	4.4	Yes
038	Full	9	1200	35,000	17.1	25,700	3.8	Yes
	Part	8	800	27,000	25.3	22,100	4.2	Yes
049	Full	12	1500	47,700	16.1	37,000	3.8	Yes
	Part	11	1300	38,000	22.9	30,500	4.3	Yes
064	Full	16	1800	59,100	15.5	43,200	3.6	Yes
	Part	14	1500	47,900	22.2	36,800	3.9	Yes
072	Full	18	1800	62,700	15.0	50,300	3.4	Yes
	Part	16	1600	53,800	20.0	42,800	3.8	Yes

4/6/10



Design Features

Application Flexibility

- Approved for both indoor and outdoor installation.
- Safe, efficient operation in a wide range of liquid temperatures (25° F to 110° F) and flow rates (as low as 1.5 GPM/ton in open loop applications when EWT >50°F).
- Easily accessible loop pump wiring.

Operating Efficiencies

- AHRI 13256-1 rating for heating COPs, cooling EERs and low water flow requirements.
- High-stability expansion valve delivers optimum refrigerant flow over a wide range of conditions.
- Efficient Copeland Ultratech compressors provide superior comfort levels.
- Accumulator is on all models for added compressor reliability.
- Oversized coaxial tube water-to-refrigerant heat exchanger operates at low liquid pressure drops.
- Convoluted cupronickel water tube functions efficiently at low flow rates, and provides freeze-damage resistance.

Service Advantages

- Easily removable top and cabinet sides. Removable panel for electrical access provides quick access to electrical components.
- Easily accessible thermal expansion valve.
- GeoLink, swivel-type water connections will connect to GeoLink loop pump(s) / 3/4 fpt for open loop application and factory installed P/T ports.
- High- and low-pressure service ports in refrigerant circuit.

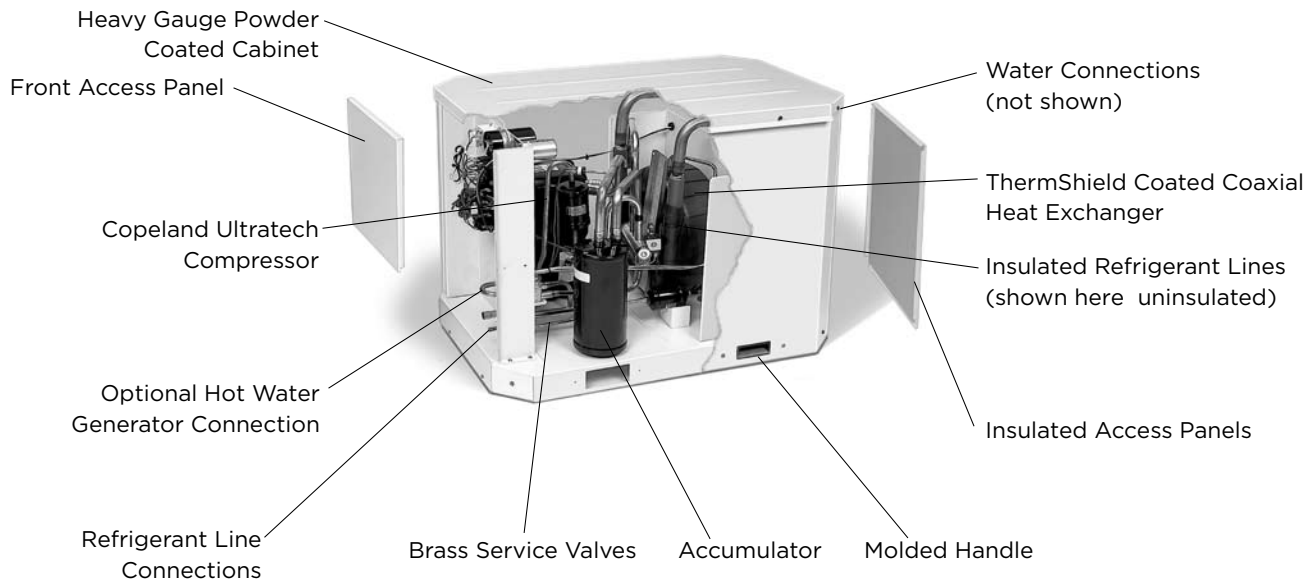
Factory Quality

- All units are manufactured on an automated testing assembly line. This assembly line features monitoring and assembly processes that lead the industry such as:
 - Component verification through bar codes.
 - Multiple automatic leak and pressure tests.
 - Performance of a water-based run test measuring both functionality and performance of the unit.
 - Database management of all run test parameters for service analysis.
 - Integrated fail safe system that prevents packaging of a failed unit.
- Heavy-gauge steel cabinets are painted with durable powder coat paint for long lasting beauty and service.
- All refrigerant brazing is performed in a nitrogen atmosphere.
- All units are deep evacuated to less than 150 microns prior to refrigerant charging.
- All joints are helium leak-tested to insure an annual leak rate of less than 1/4 ounce.
- Refrigerant suction lines are fully insulated to reduce condensation problems in low temperature operation.
- Freeze detection switch to automatically turn on loop pump(s) during off cycle when loop temperature is below 20°F.
- Insulated cabinet using 1/2-inch coated glass fiber.
- Safety features include high- and low-pressure refrigerant controls to protect the compressor.
- Coaxial heat exchanger is ThermaShield coated

Options and Accessories

- Electronic auto-changeover thermostat with 3-stage heat/2-stage cool and indicator LEDs.
- Closed loop flow center and loop circulating kits.
- Additional accessory relay.
- Bramec III, 6x6 modular mounting pad.
- Decorative rock cover for outdoor use. Available in brown granite, gray granite, salt and pepper, charcoal basalt.
- IntelliStart compressor soft starter
- NRAC encased and uncased coil assemblies

NDS Split Features



Physical Data

MODEL	026	038	049	064	072
Compressor	Copeland Ultratech Scroll				
Liquid Line Connection*	3/8" [0.95]	3/8" [0.95]	3/8" [0.95]	3/8" [0.95]	3/8" [0.95]
Suction Line Connection	5/8" [1.59]	3/4" [1.90]	3/4" [1.90]	7/8" [2.22]	7/8" [2.22]
Water Inlet/Outlet Size	GeoLink type swivel / Internal 3/4" fpt [2.54] for open loop				
Optional Heat Recovery Connection	1/2" Service Valve [1.27]				
Shipping Weight	240 [109]	287 [130]	312 [142]	354 [161]	359 [163]

NOTES: * Line set connections are braze type Inches [cm], Pounds [Kg]

Electrical Data

Model	Rated Voltage	Voltage Min/Max	Compressor				HWA Pump FLA	Ext Loop FLA	Total Unit FLA	Min Circ Amp	Max Fuse/HACR
			MCC	RLA	LRA	LRA*					
026	208-230/60/1	197/253	16.0	10.2	52.0	18.0	0.4	5.4	16.0	18.6	25
038	208-230/60/1	197/253	26.0	16.6	82.0	29.0	0.4	5.4	22.4	26.6	40
049	208-230/60/1	197/253	33.0	21.1	96.0	34.0	0.4	5.4	26.9	32.2	50
064	208-230/60/1	197/253	40.0	25.6	118.0	41.0	0.4	5.4	31.4	37.8	60
072	208-230/60/1	197/253	42.5	27.2	150.0	53.0	0.4	5.4	33.0	39.8	60

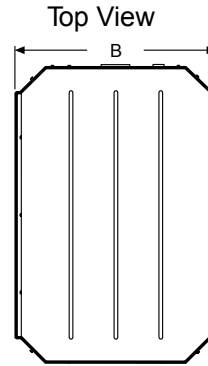
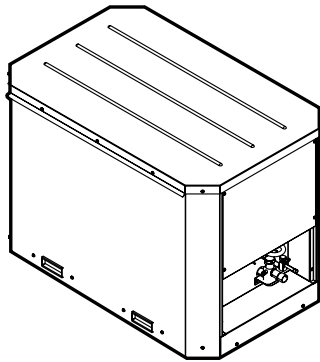
Rated voltage of 208-230/60/1.
 HACR circuit breaker in USA only.
 Min/Max voltage of 197/253.
 All fuses Class RK-5

* With optional IntelliStart

05/06/09

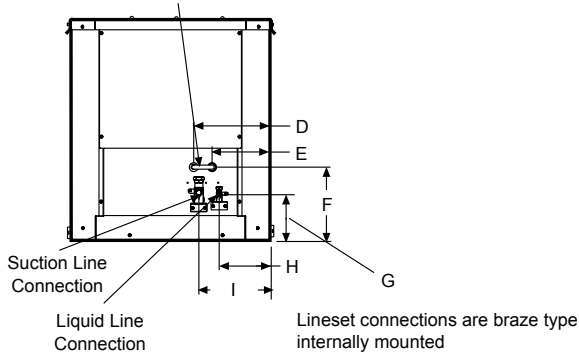
Physical Dimensions

Cabinet Dimensions and Refrigerant Piping Connections

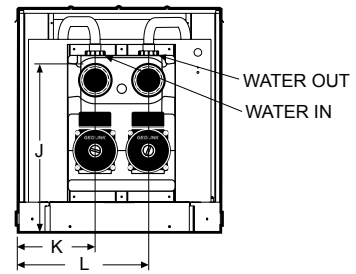


Front View

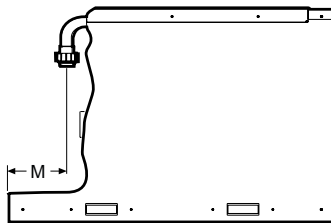
Connection Point for Field Installed Heat Recovery Unit



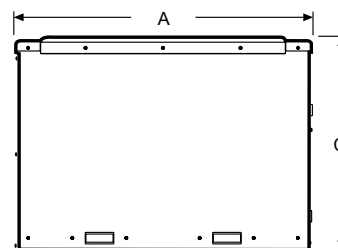
Rear View



Side View



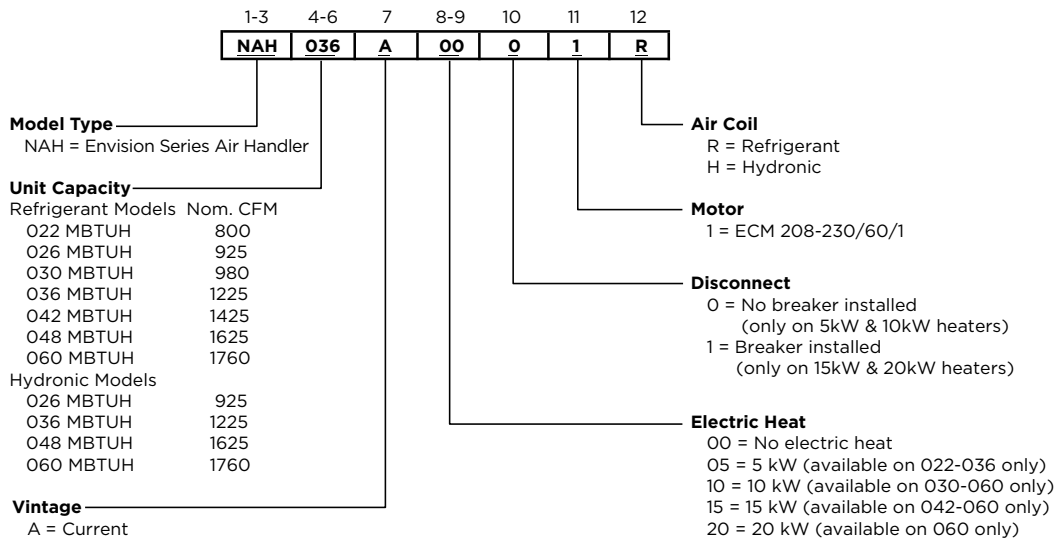
Side View



Model	A	B	C	D	E	F	G	H	I	J	K	L	M
026 thru 072	36.0	23.9	25.7	9.3	7.1	9.0	5.6	8.2	10.7	18.9	8.7	14.8	7.0
	[91.4]	[60.7]	[65.2]	[23.7]	[18.0]	[22.8]	[14.2]	[20.9]	[27.2]	[48.0]	[22.1]	[37.6]	[17.8]

NOTES: Refer to Physical Dimensions and Piping Connections drawings
Inches [cm]

Model Nomenclature - Envision Air Handler



NOTE: Kit NAHBC must be ordered to field convert the NAH042-060 to bottomflow air discharge.

Air Handler Compatibility

Air Handler Sizing Selection

The Envision Air Handlers are designed for R-410A refrigerant and should be matched with Envision Split Series compressor section according to the table below.

Air Handler	Indoor Split Model (Single)	Indoor Split Model (Dual Capacity)	Outdoor Split Model (Dual Capacity)	Airflow (CFM)	Electric Heat (kW)
NAH022A***1R	NSZ022	-	-	800	5
NAH026A***1R	-	NDZ026	NDS026	925	5
NAH030A***1R	NSZ030	-	-	980	5, 10
NAH036A***1R	NSZ036	-	-	1225	5, 10
NAH036A***1R	-	NDZ038	NDS038	1225	5, 10
NAH042A***1R	NSZ042	-	-	1425	10, 15
NAH048A***1R	NSZ048	-	-	1625	10, 15
NAH048A***1R	-	NDZ049	NDS049	1625	10, 15
NAH060A***1R	NSZ060	-	-	1760	10, 15, 20
NAH060A***1R	-	NDZ064	NDS064	1760	10, 15, 20
NAH060A***1R	NSZ070	-	-	1760	10, 15, 20
NAH060A***1R	-	NDZ072	NDS072	1760	10, 15, 20

6/9/08

Line Set Sizes

Unit Size	Air Handler	20 feet		40 feet		60 feet		Factory Charge (oz.)	*Charge Amount with NAH Air Handler (oz.)
		Suction	Liquid	Suction	Liquid	Suction	Liquid		
026	NAH026	5/8" OD	3/8" OD	3/4" OD	3/8" OD	3/4" OD	1/2" OD	52	74
038	NAH036	3/4" OD	3/8" OD	3/4" OD	3/8" OD	3/4" OD	1/2" OD	56	86
049	NAH048	3/4" OD	3/8" OD	7/8" OD	3/8" OD	7/8" OD	1/2" OD	90	115
064	NAH060	7/8" OD	1/2" OD	7/8" OD	1/2" OD	1-1/8" OD	1/2" OD	92	112
072	NAH060	7/8" OD	1/2" OD	7/8" OD	1/2" OD	1-1/8" OD	1/2" OD	104	132

NOTES: * The "Charge Amount with NAH Air Handler" column is based on the charge amount for an NAH Air Handler + Compressor Section Split.

4/16/10

Additional charge will have to be added accordingly for line set length.

After charge is added, adjustments can be made to get appropriate subcooling and superheat.

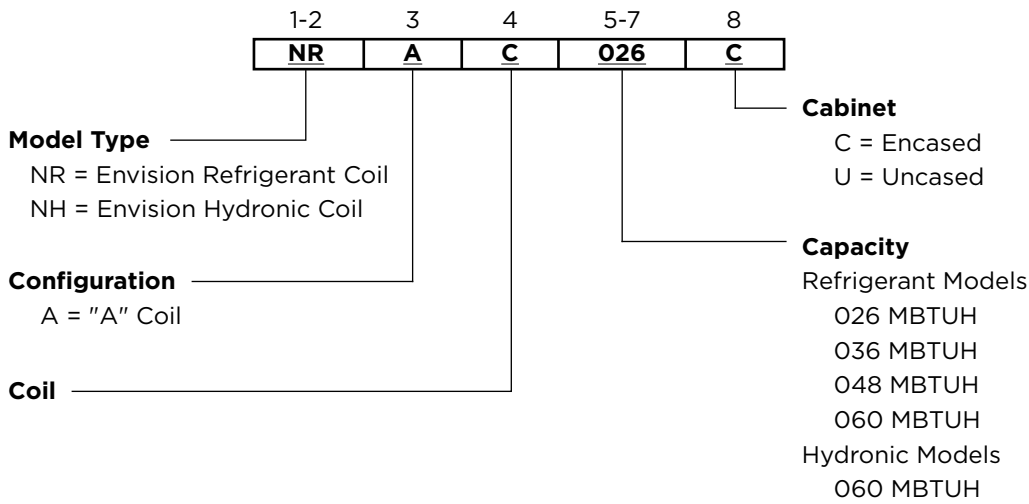
Additional charge for R-410A is 0.50 oz. per ft. for 3/8 in. and 1.0 oz. per ft. for 1/2 in. tube.

Physical Data - Envision Air Handler

Air Handler Model Number (Refrigerant)		NAH022	NAH026	NAH030	NAH036	NAH042	NAH048	NAH060	
Evaporator Coil	Air Coil Total Face Area, ft ² [m ²]	5.83 [0.54]							
	Tube outside diameter - in. [mm]	3/8 [9.52]							
	Number of rows	2			3				
	Fins per inch	12							
	Suction line connection - in. [mm] sweat	5/8 [15.87]				7/8 [22.22]			
	Liquid line connection - in. [mm] sweat	3/8 [9.52]							
Refrigerant		R-410a							
Nominal cooling capacity - tons [kW]		1.8 [6.44]	2.1 [7.59]	2.5 [8.79]	3 [10.55]	3.5 [12.30]	4 [14.06]	5 [17.58]	
Condensate drain connection - (FPT) in. [mm]		3/4 [19.05]							
Blower Wheel Size (Dia x W), in. [mm]		11 x 10 [279 x 254]							
Blower motor type/speeds		ECM variable speed							
Blower motor output - hp [W]		1/2 [373]				1 [746]			
Filter Standard - 1" [51mm] MERV3 disposable, in. [mm]		20 x 24 [508 x 635]							
Electrical characteristics (60Hz)		208/230 - 1ph							
Shipping weight - lbs. [kg]		215 [97.52]				220 [99.79]			
Operating weight - lbs. [kg]		195 [88.45]				200 [90.71]			

1/11/08

Model Nomenclature - Envision Coil



NOTE: All Refrigerant Coils include TXV.



Refrigerant Coil Compatibility

Encased/Uncased Coil	Indoor Split Model (Single)	Indoor Split Model (Dual Capacity)	Outdoor Split Model (Dual Capacity)	Recommended Airflow (CFM)
NRAC026*	NSZ022	-	-	800
NRAC026*	-	NDZ026	NDS026	925
NRAC026*	NSZ030	-	-	980
NRAC036*	NSZ036	-	-	1225
NRAC036*	-	NDZ038	NDS038	1225
NRAC048*	NSZ042	-	-	1425
NRAC048*	NSZ048	-	-	1625
NRAC048*	-	NDZ049	NDS049	1625
NRAC060*	NSZ060	-	-	1760
NRAC060*	-	NDZ064	NDS064	1760
NRAC060*	NSZ070	-	-	1760
NRAC060*	-	NDZ072	NDS072	1760

7/14/08

Reference Calculations

Heating Calculations:	Cooling Calculations:
$LWT = EWT - \frac{HE}{GPM \times 500}$	$LWT = EWT + \frac{HR}{GPM \times 500}$
$LAT = EAT + \frac{HC}{CFM \times 1.08}$	$LAT (DB) = EAT (DB) - \frac{SC}{CFM \times 1.08}$
$TH = HC + HW$	$LC = TC - SC$
	$S/T = \frac{SC}{TC}$

Legend and Notes

ABBREVIATIONS AND DEFINITIONS:

CFM = airflow, cubic feet/minute	HE = total heat of extraction, MBTUH
EWT = entering water temperature, Fahrenheit	HW = hot water generator capacity, MBTUH
GPM = water flow in gallons/minute	EER = Energy Efficiency Ratio
WPD = water pressure drop, PSI and feet of water	= BTU output/Watt input
EAT = entering air temperature, Fahrenheit (dry bulb/wet bulb)	COP = Coefficient of Performance
HC = air heating capacity, MBTUH	= BTU output/BTU input
TC = total cooling capacity, MBTUH	LWT = leaving water temperature, °F
SC = sensible cooling capacity, MBTUH	LAT = leaving air temperature, °F
KW = total power unit input, kilowatts	TH = total heating capacity, MBTUH
HR = total heat of rejection, MBTUH	LC = latent cooling capacity, MBTUH
	S/T = sensible to total cooling ratio

Hot water generator capacity based on 0.4 GPM flow per nominal unit ton at 90°F entering hot water temperature. Performance Data tables do not include water pumping watts and are based upon 15% (by volume) methanol antifreeze solution. Multiple Flow Rates (for EWT) are shown in the Performance Data tables. The lowest flow rate shown is used for geothermal open loop/well water systems with a minimum 50° F. The second flow rate shown is the minimum geothermal closed loop flow rate. The third flow rate shown is optimum for geothermal closed loop and the suggested flow rate for boiler tower applications. Interpolation between EWT, GPM and CFM data is permissible. Extrapolation for heating data down to 25°F is permissible. Catalog illustrations cover the general appearance of products at time of publication. We reserve the right to make changes in design and construction at any time without notice.

Operating Limits

Operating Limits	Cooling	Heating
Air Limits		
Minimum ambient air, DB	-10°F [-23.3°C]	-10°F [-23.3°C]
Rated ambient air, DB	80.0 [26.7°C]	70°F [21.1°C]
Maximum ambient air, DB	120 [48.8°C]	85°F [29°C]
Water Limits		
Minimum entering water	30°F [-1°C]	20°F [-6.7°C]
Normal entering water	50-110°F [10-43°C]	30-70°F [-1 to 21°C]
Maximum entering water	120°F [49°C]	90°F [32°C]
Normal water flow	1.5 to 3.0 gpm per ton [1.6 to 3.2 l/m per kW]	

NOTES: Minimum/maximum limits are only for start-up conditions, and are meant for bringing the space up to occupancy temperature. Units are not designed to operate at the minimum/maximum conditions on a regular basis. The operating limits are dependant upon three primary factors: 1) water temperature, 2) return air temperature, and 3) ambient temperature. When any of the factors are at the minimum or maximum levels, the other two factors must be at the normal level for proper and reliable unit operation.

NDS026 - Performance Data

Low Speed (700 CFM)

EWT °F	Flow gpm	WPD		HEATING - EAT 70°F							COOLING - EAT 80/67 °F														
		PSI	FT	Airflow cfm	HC kBtuh	Power kW	HE kBtuh	LAT °F	COP	HWC kBtuh	Airflow cfm	TC kBtuh	SC kBtuh	S/T Ratio	Power kW	HR kBtuh	EER	HWC kBtuh							
20	3.0	0.8	1.9	Operation not recommended							Operation not recommended														
	5.0	2.0	4.7	Operation not recommended							Operation not recommended														
	7.0	3.7	8.7	500	11.3	1.10	7.5	90.9	3.01	1.7	700	11.4	1.11	7.7	85.1	3.03	1.5								
30	3.0	0.8	1.8	Operation not recommended							Operation not recommended														
	5.0	2.0	4.5	500	13.0	1.11	9.2	94.0	3.42	1.7	700	13.2	1.12	9.4	87.5	3.46	1.5	500	19.4	12.9	0.66	0.56	21.3	34.8	-
	7.0	3.6	8.4	500	13.2	1.12	9.4	94.5	3.46	1.7	700	13.4	1.13	9.6	87.7	3.48	1.6	500	19.5	12.9	0.66	0.54	21.3	36.0	-
40	3.0	0.8	1.8	Operation not recommended							Operation not recommended														
	5.0	1.9	4.4	500	15.3	1.12	11.5	98.3	4.00	1.7	700	15.6	1.13	11.8	90.6	4.06	1.6	500	20.1	13.4	0.67	0.61	22.2	32.8	-
	7.0	3.5	8.2	500	15.6	1.13	11.7	98.8	4.02	1.8	700	15.9	1.13	12.0	91.0	4.10	1.6	500	20.3	13.4	0.66	0.59	22.3	34.1	-
50	3.0	0.7	1.7	500	16.5	1.12	12.7	100.6	4.34	1.8	700	16.9	1.12	13.1	92.3	4.42	1.7	500	20.5	13.8	0.67	0.72	23.0	28.3	0.6
	5.0	1.8	4.3	500	17.4	1.14	13.5	102.2	4.46	1.8	700	17.7	1.14	13.8	93.4	4.54	1.7	500	20.7	13.9	0.67	0.69	23.1	30.1	0.6
	7.0	3.4	7.9	500	17.6	1.16	13.7	102.6	4.46	1.9	700	18.0	1.15	14.1	93.9	4.60	1.7	500	20.9	13.9	0.66	0.67	23.2	31.4	0.5
60	3.0	0.7	1.7	500	18.7	1.14	14.8	104.6	4.82	1.9	700	19.1	1.12	15.3	95.3	4.98	1.8	500	19.8	13.5	0.68	0.82	22.6	24.3	0.9
	5.0	1.8	4.1	500	19.6	1.16	15.6	106.3	4.95	2.0	700	20.1	1.15	16.1	96.6	5.11	1.8	500	20.0	13.7	0.68	0.77	22.7	25.9	0.8
	7.0	3.3	7.6	500	19.9	1.18	15.9	106.9	4.96	2.1	700	20.4	1.16	16.5	97.0	5.16	1.9	500	20.2	13.7	0.67	0.75	22.8	26.9	0.7
70	3.0	0.7	1.6	500	21.0	1.15	17.0	108.8	5.34	2.2	700	21.5	1.13	17.6	98.4	5.58	2.0	500	19.8	13.7	0.69	0.93	23.0	21.3	1.2
	5.0	1.7	4.0	500	21.9	1.17	17.9	110.5	5.47	2.2	700	22.6	1.16	18.6	99.8	5.71	2.1	500	20.0	13.8	0.69	0.88	23.0	22.7	1.1
	7.0	3.2	7.4	500	22.3	1.19	18.3	111.3	5.50	2.3	700	22.9	1.17	18.9	100.3	5.76	2.1	500	20.2	13.8	0.68	0.86	23.2	23.5	1.0
80	3.0	0.7	1.6	500	22.8	1.18	18.7	112.2	5.65	2.4	700	23.4	1.15	19.5	101.0	5.96	2.2	500	18.7	13.2	0.71	1.07	22.4	17.5	1.6
	5.0	1.7	3.9	500	23.8	1.21	19.7	114.0	5.77	2.5	700	24.6	1.18	20.5	102.5	6.11	2.3	500	18.9	13.3	0.71	1.01	22.3	18.7	1.5
	7.0	3.1	7.1	500	24.2	1.22	20.0	114.8	5.80	2.6	700	25.0	1.19	20.9	103.0	6.15	2.4	500	19.1	13.3	0.70	0.98	22.4	19.5	1.4
90	3.0	0.7	1.5	500	24.7	1.21	20.6	115.7	5.99	2.7	700	25.5	1.17	21.5	103.8	6.38	2.5	500	17.1	12.5	0.73	1.22	21.3	14.0	2.2
	5.0	1.6	3.7	500	25.8	1.24	21.5	117.7	6.10	2.8	700	26.7	1.19	22.6	105.3	6.54	2.6	500	17.5	13.5	0.77	1.26	21.8	13.9	2.3
	7.0	3.0	6.9	500	26.2	1.25	21.9	118.5	6.12	2.9	700	27.2	1.21	23.0	105.9	6.59	2.7	500	17.6	13.7	0.78	1.19	21.7	14.9	2.2
100	3.0	0.6	1.5	Operation not recommended							Operation not recommended														
	5.0	1.6	3.6	Operation not recommended							Operation not recommended														
	7.0	2.9	6.6	500	16.7	1.25	12.5	0.75	1.32	21.2	12.6	2.6	700	17.0	13.6	0.80	1.36	21.6	12.5	2.8					
110	3.0	0.6	1.4	Operation not recommended							Operation not recommended														
	5.0	1.5	3.4	Operation not recommended							Operation not recommended														
	7.0	2.8	6.4	500	14.6	1.15	0.79	1.50	19.7	9.7	3.3	700	14.9	12.5	0.84	1.54	20.2	9.7	3.6						
120	3.0	0.6	1.3	Operation not recommended							Operation not recommended														
	5.0	1.4	3.3	Operation not recommended							Operation not recommended														
	7.0	2.7	6.1	500	14.0	1.14	0.82	1.71	19.8	8.2	4.1	700	14.2	12.4	0.87	1.75	20.2	8.1	4.4						

Multiple Flow Rates (for EWT) are shown in the table above. The lowest flow rate shown is used for geothermal open loop/well water systems with a minimum 50° F. The second flow rate shown is the minimum geothermal closed loop flow rate. The third flow rate shown is optimum for geothermal closed loop and the suggested flow rate for boiler tower applications.

NDS026 - Performance Data

High Speed (900 CFM)

EWT °F	Flow gpm	WPD		HEATING - EAT 70°F							COOLING - EAT 80/67 °F												
		PSI	FT	Airflow cfm	HC kBtuh	Power kW	HE kBtuh	LAT °F	COP	HWC kBtuh	Airflow cfm	TC kBtuh	SC kBtuh	S/T Ratio	Power kW	HR kBtuh	EER	HWC kBtuh					
20	4.0	1.4	3.2	Operation not recommended							Operation not recommended												
	6.0	2.9	6.6	Operation not recommended							Operation not recommended												
	8.0	4.8	11.1	700	15.7	1.42	10.9	90.8	3.25	2.0	900	16.0	1.43	11.1	86.4	3.27	1.8						
30	4.0	1.4	3.2	Operation not recommended							Operation not recommended												
	6.0	2.8	6.4	700	18.1	1.46	13.1	93.9	3.63	2.2	700	26.1	17.2	0.66	0.94	29.3	27.9	-					
	8.0	4.7	10.8	700	18.4	1.47	13.4	89.0	3.68	2.0	700	26.5	18.8	0.71	0.99	29.9	26.9	-					
40	4.0	1.3	3.1	Operation not recommended							Operation not recommended												
	6.0	2.7	6.2	700	21.0	1.52	15.8	97.8	4.06	2.4	700	26.4	17.7	0.67	1.02	29.9	26.0	-					
	8.0	4.5	10.4	700	21.4	1.53	16.1	98.3	4.08	2.5	700	26.7	17.7	0.66	0.99	30.0	27.0	-					
50	4.0	1.3	3.0	700	22.7	1.55	17.4	100.0	4.28	2.6	700	26.3	17.9	0.68	1.19	30.3	22.2	1.2					
	6.0	2.6	6.0	700	23.8	1.59	18.4	101.5	4.40	2.7	700	26.5	18.1	0.68	1.13	30.4	23.6	1.1					
	8.0	4.4	10.1	700	24.2	1.61	18.7	101.9	4.40	2.8	700	26.8	18.1	0.67	1.09	30.5	24.6	1.0					
60	4.0	1.2	2.9	700	25.5	1.64	19.9	103.7	4.57	3.0	700	26.0	17.8	0.68	1.29	30.4	20.2	1.4					
	6.0	2.5	5.8	700	26.7	1.67	21.0	105.3	4.69	3.1	700	26.2	17.9	0.68	1.22	30.4	21.5	1.3					
	8.0	4.2	9.8	700	27.2	1.69	21.4	105.9	4.71	3.1	700	26.5	17.9	0.68	1.19	30.5	22.3	1.3					
70	4.0	1.2	2.8	700	28.5	1.72	22.6	107.6	4.84	3.3	700	25.6	17.7	0.69	1.43	30.5	17.9	1.8					
	6.0	2.4	5.6	700	29.7	1.76	23.7	109.3	4.96	3.4	700	25.8	17.8	0.69	1.35	30.5	19.1	1.7					
	8.0	4.1	9.5	700	30.3	1.78	24.2	110.0	4.99	3.5	700	26.1	17.8	0.68	1.32	30.6	19.8	1.5					
80	4.0	1.2	2.7	700	31.1	1.75	25.1	102.0	5.22	3.3	700	26.6	19.5	0.73	1.36	31.3	19.5	1.7					
	6.0	2.4	5.4	700	31.0	1.83	24.8	111.1	4.98	3.7	700	24.6	17.4	0.71	1.59	30.0	15.5	2.2					
	8.0	4.0	9.2	700	31.9	1.78	25.9	102.9	5.26	3.5	700	25.1	18.9	0.75	1.64	30.7	15.3	2.4					
90	4.0	1.1	2.6	700	32.4	1.87	26.0	112.9	5.09	3.8	700	24.8	17.5	0.71	1.50	30.0	16.5	2.1					
	6.0	2.3	5.2	700	33.5	1.82	27.3	104.4	5.39	3.6	700	25.4	19.1	0.75	1.55	30.7	16.4	2.3					
	8.0	3.8	8.8	700	33.0	1.89	26.5	113.6	5.11	4.0	700	25.1	17.5	0.70	1.46	30.1	17.3	1.9					
100	4.0	1.1	2.5	700	34.0	1.84	27.8	105.0	5.43	3.7	700	25.6	19.1	0.75	1.51	30.7	17.0	2.1					
	6.0	2.2	5.1	700	33.7	1.94	27.1	114.6	5.10	4.2	700	23.3	16.8	0.72	1.75	29.3	13.3	2.8					
	8.0	3.7	8.5	700	34.9	1.88	28.5	105.9	5.44	3.9	700	23.9	18.2	0.76	1.81	30.0	13.2	3.0					
110	4.0	1.0	2.4	Operation not recommended							Operation not recommended												
	6.0	2.1	4.9	Operation not recommended							Operation not recommended												
	8.0	3.5	8.2	700	35.2	1.98	28.4	116.6	5.20	4.3	700	23.5	17.0	0.72	1.66	29.2	14.2	2.6					
120	4.0	1.0	2.3	Operation not recommended							Operation not recommended												
	6.0	2.0	4.7	Operation not recommended							Operation not recommended												
	8.0	3.4	7.9	700	36.4	1.91	29.9	107.5	5.58	4.0	700	24.1	18.5	0.77	1.71	29.9	14.1	2.8					
				700	35.8	2.01	28.9	117.3	5.22	4.4	700	23.9	17.0	0.71	1.60	29.3	14.9	2.4					
				900	37.1	1.94	30.5	108.2	5.61	4.1	900	24.3	18.5	0.76	1.66	29.9	14.6	2.7					
				700	22.4	16.5	0.74	1.86	28.7	12.0	3.2	700	22.8	17.9	0.78	1.91	29.4	11.9	3.5				
				900	22.6	16.5	0.73	1.80	28.8	12.6	3.0	900	23.0	17.9	0.78	1.86	29.4	12.4	3.3				
				Operation not recommended							Operation not recommended												
				700	20.5	15.5	0.76	2.06	27.5	10.0	3.9	700	20.9	16.9	0.81	2.12	28.1	9.9	4.2				
				700	20.7	15.5	0.75	2.00	27.5	10.4	3.6	700	21.1	16.9	0.80	2.06	28.1	10.3	4.0				
				Operation not recommended							Operation not recommended												
				700	19.0	14.9	0.79	2.31	26.8	8.2	4.7	700	19.3	16.2	0.84	2.37	27.4	8.2	5.1				
				900	19.1	14.9	0.78	2.23	26.7	8.6	4.4	900	19.5	16.2	0.83	2.30	27.4	8.5	4.8				

Multiple Flow Rates (for EWT) are shown in the table above. The lowest flow rate shown is used for geothermal open loop/well water systems with a minimum 50° F. The second flow rate shown is the minimum geothermal closed loop flow rate. The third flow rate shown is optimum for geothermal closed loop and the suggested flow rate for boiler tower applications.

NDS038 - Performance Data

Low Speed (1050 CFM)

EWT °F	Flow gpm	WPD		HEATING - EAT 70°F							COOLING - EAT 80/67 °F												
		PSI	FT	Airflow cfm	HC kBtuh	Power kW	HE kBtuh	LAT °F	COP	HWC kBtuh	Airflow cfm	TC kBtuh	SC kBtuh	S/T Ratio	Power kW	HR kBtuh	EER	HWC kBtuh					
20	4.0	0.9	2.1	Operation not recommended							Operation not recommended												
	6.0	1.7	4.0	Operation not recommended							Operation not recommended												
	8.0	2.9	6.7	900	15.5	1.47	10.5	85.9	3.10	2.5	1050	16.1	1.50	11.0	84.2	3.15	2.2						
30	4.0	0.9	2.0	Operation not recommended							Operation not recommended												
	6.0	1.7	3.9	900	17.2	1.45	12.3	87.7	3.48	2.4	900	26.6	16.8	0.63	0.73	29.1	36.5	-					
	8.0	2.8	6.5	900	18.3	1.49	13.2	88.8	3.61	2.5	900	27.0	17.3	0.64	0.72	29.5	37.4	-					
				1050	19.1	1.53	13.9	86.8	3.66	2.2	1050	27.8	19.1	0.69	0.74	30.3	37.7	-					
40	4.0	0.8	1.9	Operation not recommended							Operation not recommended												
	6.0	1.6	3.8	900	20.3	1.48	15.3	90.9	4.03	2.5	900	27.7	18.0	0.65	0.79	30.4	35.1	-					
	8.0	2.7	6.3	900	21.4	1.51	16.3	92.0	4.15	2.6	900	28.1	18.5	0.66	0.78	30.8	35.9	-					
				1050	22.2	1.54	16.9	89.5	4.21	2.3	1050	28.9	20.4	0.71	0.80	31.6	36.2	-					
50	4.0	0.8	1.9	900	22.4	1.50	17.3	93.0	4.36	2.6	900	28.6	19.3	0.67	0.90	31.6	31.8	0.9					
				1050	23.1	1.53	17.9	90.4	4.44	2.4	1050	29.4	21.3	0.73	0.92	32.5	32.1	1.0					
	6.0	1.6	3.7	900	23.2	1.51	18.0	93.9	4.51	2.7	900	28.8	19.4	0.67	0.88	31.8	33.0	0.8					
				1050	23.9	1.52	18.7	91.1	4.59	2.4	1050	29.6	21.5	0.72	0.89	32.7	33.2	0.9					
	8.0	2.6	6.1	900	24.3	1.54	19.0	95.0	4.62	2.7	900	29.3	19.9	0.68	0.87	32.3	33.8	0.8					
				1050	25.0	1.56	19.7	92.0	4.70	2.5	1050	30.1	22.0	0.73	0.88	33.1	34.1	0.9					
60	4.0	0.8	1.8	900	25.3	1.53	20.0	96.0	4.83	2.8	900	27.4	18.6	0.68	1.00	30.9	27.3	1.2					
				1050	25.9	1.54	20.6	92.8	4.91	2.6	1050	28.2	20.6	0.73	1.02	31.7	27.6	1.3					
	6.0	1.5	3.6	900	26.3	1.53	21.1	97.0	5.03	2.9	900	27.7	18.7	0.67	0.98	31.0	28.3	1.1					
				1050	26.9	1.54	21.6	93.7	5.12	2.7	1050	28.5	20.7	0.73	1.00	31.9	28.5	1.2					
	8.0	2.5	5.9	900	27.2	1.57	21.8	98.0	5.09	3.0	900	28.1	19.2	0.68	0.97	31.5	29.0	1.1					
				1050	27.8	1.57	22.4	94.5	5.18	2.7	1050	28.9	21.2	0.73	0.99	32.3	29.3	1.2					
70	4.0	0.8	1.8	900	28.0	1.56	22.7	98.9	5.27	3.1	900	27.1	18.8	0.69	1.14	31.0	23.8	1.7					
				1050	28.6	1.56	23.3	95.2	5.37	2.9	1050	27.8	20.8	0.75	1.16	31.8	24.0	1.8					
	6.0	1.5	3.5	900	29.3	1.55	24.0	100.1	5.52	3.2	900	27.3	18.9	0.69	1.11	31.1	24.7	1.6					
				1050	29.8	1.55	24.5	96.3	5.63	3.0	1050	28.1	21.0	0.75	1.13	32.0	24.9	1.7					
	8.0	2.5	5.7	900	30.0	1.59	24.6	100.9	5.55	3.3	900	27.8	19.4	0.70	1.10	31.5	25.3	1.5					
				1050	30.6	1.58	25.2	96.9	5.65	3.1	1050	28.6	21.5	0.75	1.12	32.4	25.5	1.6					
80	4.0	0.7	1.7	900	30.7	1.59	25.3	101.6	5.66	3.5	900	26.1	18.4	0.71	1.30	30.5	20.1	2.3					
				1050	31.1	1.58	25.7	97.4	5.77	3.3	1050	26.8	20.4	0.76	1.32	31.3	20.3	2.5					
	6.0	1.4	3.3	900	32.2	1.58	26.8	103.1	5.97	3.6	900	26.3	18.6	0.71	1.26	30.6	20.8	2.2					
				1050	32.6	1.57	27.2	98.7	6.09	3.3	1050	27.0	20.5	0.76	1.29	31.4	21.0	2.4					
	8.0	2.4	5.5	900	32.6	1.61	27.1	103.6	5.93	3.7	900	26.7	19.0	0.71	1.25	31.0	21.4	2.0					
				1050	33.0	1.60	27.5	99.1	6.05	3.4	1050	27.5	21.1	0.77	1.28	31.8	21.5	2.2					
90	4.0	0.7	1.6	900	33.3	1.62	27.8	104.3	6.04	4.0	900	24.2	17.2	0.71	1.48	29.2	16.4	3.1					
				1050	33.6	1.60	28.1	99.6	6.16	3.7	1050	24.8	19.1	0.77	1.50	30.0	16.5	3.3					
	6.0	1.4	3.2	900	35.0	1.60	29.5	106.0	6.41	4.1	900	24.4	17.3	0.71	1.44	29.3	17.0	2.9					
				1050	35.2	1.58	29.8	101.1	6.54	3.8	1050	25.1	19.2	0.77	1.47	30.1	17.1	3.1					
	8.0	2.3	5.3	900	35.2	1.63	29.6	106.2	6.31	4.2	900	24.8	17.8	0.72	1.43	29.6	17.4	2.7					
				1050	35.3	1.61	29.8	101.2	6.44	3.9	1050	25.5	19.7	0.77	1.45	30.4	17.5	3.0					
100	4.0	0.7	1.6	Operation not recommended							Operation not recommended												
	6.0	1.3	3.1	Operation not recommended							Operation not recommended												
	8.0	2.2	5.1	900	23.5	17.6	0.75	1.64	29.1	14.3	3.8	900	23.5	17.6	0.75	1.64	29.1	14.3	3.8				
				1050	24.2	19.5	0.81	1.67	29.9	14.4	4.1	1050	24.2	19.5	0.81	1.67	29.9	14.4	4.1				
110	4.0	0.7	1.5	Operation not recommended							Operation not recommended												
	6.0	1.3	3.0	Operation not recommended							Operation not recommended												
	8.0	2.1	4.9	900	21.1	16.6	0.79	1.87	27.5	11.3	4.8	900	21.1	16.6	0.79	1.87	27.5	11.3	4.8				
				1050	21.7	18.3	0.85	1.90	28.2	11.4	5.2	1050	21.7	18.3	0.85	1.90	28.2	11.4	5.2				
				900	21.4	17.0	0.79	1.85	27.8	11.6	4.4	900	21.4	17.0	0.79	1.85	27.8	11.6	4.4				
				1050	22.0	18.8	0.85	1.89	28.5	11.7	4.9	1050	22.0	18.8	0.85	1.89	28.5	11.7	4.9				
120	4.0	0.6	1.5	Operation not recommended							Operation not recommended												
	6.0	1.2	2.9	Operation not recommended							Operation not recommended												
	8.0	2.0	4.7	900	20.0	16.4	0.82	2.12	27.2	9.4	5.9	900	20.0	16.4	0.82	2.12	27.2	9.4	5.9				
				1050	20.5	18.2	0.88	2.16	27.9	9.5	6.4	1050	20.5	18.2	0.88	2.16	27.9	9.5	6.4				
				900	20.3	16.8	0.83	2.10	27.5	9.7	5.5	900	20.3	16.8	0.83	2.10	27.5	9.7	5.5				
				1050	20.9	18.6	0.89	2.14	28.2	9.7	6.1	1050	20.9	18.6	0.89	2.14	28.2	9.7	6.1				

Multiple Flow Rates (for EWT) are shown in the table above. The lowest flow rate shown is used for geothermal open loop/well water systems with a minimum 50° F. The second flow rate shown is the minimum geothermal closed loop flow rate. The third flow rate shown is optimum for geothermal closed loop and the suggested flow rate for boiler tower applications.

NDS038 - Performance Data

High Speed (1250 CFM)

EWT °F	Flow gpm	WPD		HEATING - EAT 70°F							COOLING - EAT 80/67 °F															
		PSI	FT	Airflow cfm	HC kBtuh	Power kW	HE kBtuh	LAT °F	COP	HWC kBtuh	Airflow cfm	TC kBtuh	SC kBtuh	S/T Ratio	Power kW	HR kBtuh	EER	HWC kBtuh								
20	5.0	1.3	3.0	Operation not recommended							Operation not recommended															
	7.0	2.3	5.2	Operation not recommended							Operation not recommended															
	9.0	3.5	8.1	1050	22.1	2.12	14.9	89.5	3.06	2.8	1250	22.9	2.18	15.4	86.9	3.07	2.5									
30	5.0	1.2	2.9	Operation not recommended							Operation not recommended															
	7.0	2.2	5.1	1050	25.5	2.16	18.1	92.5	3.46	3.0	1250	26.2	2.23	18.7	89.4	3.46	2.8	1050	34.5	20.5	0.59	1.47	39.5	23.5	-	
	9.0	3.4	7.9	1050	25.9	2.18	18.5	92.9	3.48	3.1	1250	26.8	2.25	19.1	89.8	3.49	2.8	1050	34.7	22.5	0.65	1.42	39.6	24.4	-	
40	5.0	1.2	2.8	Operation not recommended							Operation not recommended															
	7.0	2.1	4.9	1050	29.8	2.29	22.0	96.3	3.81	3.4	1250	30.7	2.34	22.7	92.7	3.85	3.1	1050	35.8	21.9	0.61	1.62	41.4	22.1	-	
	9.0	3.3	7.6	1050	30.4	2.31	22.5	96.8	3.85	3.5	1250	31.3	2.36	23.3	93.2	3.89	3.2	1050	36.1	23.8	0.66	1.57	41.5	23.0	-	
50	5.0	1.2	2.7	1050	32.3	2.35	24.3	98.5	4.03	3.6	1250	33.2	2.38	25.1	94.6	4.10	3.4	1050	36.0	22.8	0.63	1.92	42.6	18.8	1.7	
	7.0	2.1	4.8	1050	33.4	2.40	25.3	99.5	4.09	3.8	1250	34.5	2.43	26.2	95.6	4.16	3.5	1050	36.8	23.1	0.63	1.81	43.0	20.4	1.6	
	9.0	3.2	7.4	1050	34.2	2.42	25.9	100.2	4.14	3.9	1250	35.3	2.45	26.9	96.1	4.21	3.5	1050	37.2	24.7	0.66	1.76	43.2	21.1	1.5	
60	5.0	1.1	2.6	1050	35.6	2.46	27.2	101.4	4.24	4.1	1250	36.7	2.48	28.3	97.2	4.35	3.8	1050	35.7	23.4	0.66	2.04	42.6	17.4	2.1	
	7.0	2.0	4.6	1050	37.2	2.53	28.6	102.8	4.31	4.2	1250	38.4	2.55	29.7	98.4	4.42	3.9	1050	36.5	23.6	0.65	1.94	43.1	18.8	2.0	
	9.0	3.1	7.2	1050	38.1	2.56	29.4	103.6	4.36	4.4	1250	39.3	2.57	30.6	99.1	4.49	4.0	1050	36.9	24.9	0.68	1.89	43.3	19.5	1.8	
70	5.0	1.1	2.5	1050	39.0	2.59	30.1	104.4	4.40	4.6	1250	40.3	2.59	31.5	99.9	4.56	4.3	1050	35.6	24.2	0.68	2.24	43.3	15.9	2.6	
	7.0	1.9	4.5	1050	41.0	2.68	31.8	106.1	4.48	4.7	1250	42.3	2.68	33.2	101.3	4.63	4.4	1050	37.2	26.9	0.72	2.33	45.1	16.0	2.8	
	9.0	3.0	6.9	1050	42.0	2.71	32.8	107.1	4.54	4.9	1250	43.5	2.70	34.3	102.2	4.72	4.5	1050	36.5	24.5	0.67	2.15	43.9	17.0	2.4	
80	5.0	1.1	2.5	1050	41.5	2.70	32.3	106.6	4.50	5.2	1250	42.9	2.68	33.8	101.8	4.70	4.8	1050	38.1	27.1	0.71	2.22	45.7	17.2	2.6	
	7.0	1.9	4.3	1050	43.9	2.81	34.3	108.7	4.58	5.3	1250	45.4	2.78	35.9	103.6	4.78	4.9	1050	36.9	25.4	0.69	2.09	44.1	17.6	2.3	
	9.0	2.9	6.7	1050	45.1	2.84	35.4	109.8	4.65	5.5	1250	46.7	2.80	37.1	104.6	4.88	5.1	1050	38.6	28.2	0.73	2.18	46.0	17.7	2.5	
90	5.0	1.0	2.4	1050	44.0	2.82	34.4	108.8	4.57	5.8	1250	45.6	2.78	36.1	103.8	4.81	5.3	1050	35.7	24.7	0.69	2.31	43.6	15.5	2.8	
	7.0	1.8	4.2	1050	46.8	2.95	36.7	111.2	4.65	6.0	1250	48.4	2.90	38.6	105.9	4.90	5.5	1050	32.5	23.2	0.71	2.63	41.4	12.3	4.0	
	9.0	2.8	6.5	1050	48.2	2.99	38.0	112.5	4.73	6.1	1250	49.9	2.92	40.0	107.0	5.01	5.7	1250	33.6	25.8	0.77	2.70	42.8	12.5	4.3	
100	5.0	1.0	2.3	Operation not recommended							Operation not recommended															
	7.0	1.7	4.0	Operation not recommended							Operation not recommended															
	9.0	2.7	6.2	1050	32.2	2.33	0.72	2.85	41.9	11.3	4.7	1250	33.3	25.9	0.78	2.90	43.1	11.5	5.0	1050	32.6	23.2	0.71	2.80	42.1	11.6
110	5.0	1.0	2.2	Operation not recommended							Operation not recommended															
	7.0	1.7	3.9	Operation not recommended							Operation not recommended															
	9.0	2.6	6.0	1050	29.5	2.19	0.74	3.12	40.1	9.5	5.7	1250	30.3	24.3	0.80	3.14	41.0	9.6	6.1	1050	33.6	25.7	0.76	2.85	43.3	11.8
120	5.0	0.9	2.1	Operation not recommended							Operation not recommended															
	7.0	1.6	3.7	Operation not recommended							Operation not recommended															
	9.0	2.5	5.8	1050	27.7	2.14	0.77	3.48	39.6	8.0	6.8	1250	28.3	23.9	0.84	3.48	40.2	8.2	7.4	1050	28.0	20.9	0.75	3.42	39.6	8.2

Multiple Flow Rates (for EWT) are shown in the table above. The lowest flow rate shown is used for geothermal open loop/well water systems with a minimum 50° F. The second flow rate shown is the minimum geothermal closed loop flow rate. The third flow rate shown is optimum for geothermal closed loop and the suggested flow rate for boiler tower applications.

NDS049 - Performance Data

Low Speed (1350 CFM)

EWT °F	Flow gpm	WPD		HEATING - EAT 70°F							COOLING - EAT 80/67 °F														
		PSI	FT	Airflow cfm	HC kBtuh	Power kW	HE kBtuh	LAT °F	COP	HWC kBtuh	Airflow cfm	TC kBtuh	SC kBtuh	S/T Ratio	Power kW	HR kBtuh	EER	HWC kBtuh							
20	5.0	0.9	2.2	Operation not recommended							Operation not recommended														
	8.0	2.0	4.6	Operation not recommended							Operation not recommended														
	11.0	3.4	7.8	1150	22.2	2.05	15.2	87.9	3.17	4.1	1350	23.0	2.08	15.9	85.8	3.24	3.7								
30	5.0	0.9	2.1	Operation not recommended							Operation not recommended														
	8.0	1.9	4.4	1150	25.6	2.09	18.4	90.6	3.58	4.2	1350	26.3	2.10	19.2	88.1	3.67	3.8	1150	35.0	20.6	0.59	1.18	39.1	29.7	-
	11.0	3.3	7.6	1150	26.2	2.10	19.0	91.1	3.65	4.3	1350	27.1	2.13	19.8	88.6	3.73	3.9	1350	36.3	24.2	0.67	1.25	40.6	28.9	-
40	5.0	0.9	2.0	Operation not recommended							Operation not recommended														
	8.0	1.9	4.3	1150	29.3	2.16	21.9	93.6	3.97	4.5	1350	30.4	2.16	23.0	90.8	4.11	4.1	1150	37.0	22.5	0.61	1.30	41.5	28.5	-
	11.0	3.2	7.4	1150	30.3	2.18	22.9	94.4	4.07	4.6	1350	31.3	2.19	23.8	91.5	4.18	4.2	1350	38.3	26.5	0.69	1.37	42.9	27.9	-
50	5.0	0.9	2.0	1150	30.4	2.16	23.0	94.5	4.13	4.7	1350	31.4	2.16	24.0	91.5	4.26	4.3	1150	37.8	24.0	0.64	1.68	43.5	22.5	1.6
	8.0	1.8	4.2	1150	32.8	2.23	25.1	96.4	4.31	4.8	1350	34.0	2.21	26.4	93.3	4.50	4.4	1350	38.9	28.3	0.73	1.75	44.9	22.2	1.6
	11.0	3.1	7.2	1150	34.0	2.24	26.4	97.4	4.44	5.0	1350	34.0	2.24	27.5	94.1	4.59	4.5	1150	38.6	24.1	0.62	1.45	43.5	26.5	1.4
60	5.0	0.8	1.9	1150	33.2	2.24	25.6	96.7	4.34	5.1	1350	34.4	2.23	26.8	93.6	4.53	4.8	1350	39.8	28.4	0.71	1.44	44.9	27.8	1.5
	8.0	1.8	4.0	1150	35.9	2.30	28.1	98.9	4.58	5.3	1350	37.3	2.27	29.6	95.6	4.82	4.9	1150	38.2	24.1	0.63	1.81	43.7	20.8	2.2
	11.0	3.0	6.9	1150	37.5	2.32	29.5	100.2	4.74	5.5	1350	38.8	2.29	31.0	96.6	4.96	5.0	1350	39.4	28.4	0.72	1.68	45.1	23.4	2.2
70	5.0	0.8	1.8	1150	35.9	2.32	28.0	98.9	4.54	5.7	1350	37.3	2.29	29.5	95.6	4.77	5.3	1150	37.8	25.2	0.67	1.99	44.6	19.0	3.1
	8.0	1.7	3.9	1150	39.0	2.36	30.9	101.4	4.84	5.9	1350	40.5	2.32	32.6	97.8	5.12	5.4	1350	39.0	29.6	0.76	2.09	46.1	18.7	3.3
	11.0	2.9	6.7	1150	40.7	2.39	32.6	102.8	5.00	6.1	1350	42.3	2.33	34.3	99.0	5.31	5.6	1150	38.2	25.4	0.67	1.81	44.3	21.1	2.9
80	5.0	0.8	1.8	1150	38.1	2.38	30.0	100.7	4.70	6.4	1350	39.6	2.34	31.6	97.2	4.97	5.9	1150	39.4	29.9	0.76	1.89	45.8	20.9	3.1
	8.0	1.6	3.8	1150	41.4	2.40	33.2	103.3	5.05	6.6	1350	43.1	2.34	35.1	99.5	5.39	6.1	1350	38.8	28.9	0.74	2.01	45.6	19.3	4.1
	11.0	2.8	6.5	1150	43.5	2.43	35.2	105.0	5.25	6.8	1350	45.3	2.36	37.2	101.0	5.61	6.2	1150	37.6	24.6	0.65	1.93	44.2	19.5	3.7
90	5.0	0.7	1.7	1150	40.2	2.43	31.9	102.4	4.85	7.1	1350	41.8	2.38	33.7	98.7	5.16	6.6	1150	34.5	22.2	0.64	2.38	42.6	14.5	5.7
	8.0	1.6	3.6	1150	43.7	2.44	35.4	105.2	5.25	7.3	1350	45.5	2.36	37.5	101.2	5.65	6.8	1350	35.6	26.1	0.73	2.47	44.0	14.4	6.0
	11.0	2.7	6.2	1150	46.1	2.47	37.7	107.1	5.48	7.5	1350	48.1	2.39	39.9	103.0	5.90	7.0	1150	34.5	22.5	0.65	2.25	42.2	15.3	5.3
100	5.0	0.7	1.7	Operation not recommended							Operation not recommended														
	8.0	1.5	3.5	Operation not recommended							Operation not recommended														
	11.0	2.6	6.0	1150	41.8	2.38	33.7	98.7	5.16	6.6	1350	45.3	2.36	37.2	101.0	5.61	6.2	1150	34.5	22.7	0.64	2.16	42.8	16.4	4.9
110	5.0	0.7	1.6	Operation not recommended							Operation not recommended														
	8.0	1.5	3.4	Operation not recommended							Operation not recommended														
	11.0	2.5	5.8	1150	43.5	2.43	35.2	105.0	5.25	6.8	1350	45.3	2.36	37.2	101.0	5.61	6.2	1150	35.5	26.4	0.75	2.34	43.4	15.2	5.8
120	5.0	0.7	1.5	Operation not recommended							Operation not recommended														
	8.0	1.4	3.3	Operation not recommended							Operation not recommended														
	11.0	2.4	5.6	1150	46.1	2.47	37.7	107.1	5.48	7.5	1350	48.1	2.39	39.9	103.0	5.90	7.0	1150	27.2	21.2	0.78	3.15	38.0	8.6	10.8

Multiple Flow Rates (for EWT) are shown in the table above. The lowest flow rate shown is used for geothermal open loop/well water systems with a minimum 50° F. The second flow rate shown is the minimum geothermal closed loop flow rate. The third flow rate shown is optimum for geothermal closed loop and the suggested flow rate for boiler tower applications.

NDS049 - Performance Data

High Speed (1550 CFM)

EWT °F	Flow gpm	WPD		HEATING - EAT 70°F							COOLING - EAT 80/67 °F																																																																																																																																																																																																																																																																																																																																																																																																																																																																																																																																																																																																																																																																																																																																												
		PSI	FT	Airflow cfm	HC kBtuh	Power kW	HE kBtuh	LAT °F	COP	HWC kBtuh	Airflow cfm	TC kBtuh	SC kBtuh	S/T Ratio	Power kW	HR kBtuh	EER	HWC kBtuh																																																																																																																																																																																																																																																																																																																																																																																																																																																																																																																																																																																																																																																																																																																																					
20	6.0	1.3	3.0	Operation not recommended							Operation not recommended																																																																																																																																																																																																																																																																																																																																																																																																																																																																																																																																																																																																																																																																																																																																												
	9.0	2.5	5.7	Operation not recommended							Operation not recommended																																																																																																																																																																																																																																																																																																																																																																																																																																																																																																																																																																																																																																																																																																																																												
	12.0	4.0	9.2	1350	30.7	2.74	21.3	91.0	3.28	5.2	1550	31.7	2.82	22.1	88.9	3.29	4.7																																																																																																																																																																																																																																																																																																																																																																																																																																																																																																																																																																																																																																																																																																																																						
30	6.0	1.2	2.9	Operation not recommended							Operation not recommended																																																																																																																																																																																																																																																																																																																																																																																																																																																																																																																																																																																																																																																																																																																																												
	9.0	2.4	5.5	1350	35.0	2.87	25.2	94.0	3.58	5.5	1550	36.1	2.96	26.0	91.5	3.57	5.1	1350	46.3	28.5	0.62	1.90	52.8	24.4	-																																																																																																																																																																																																																																																																																																																																																																																																																																																																																																																																																																																																																																																																																																																														
	12.0	3.9	8.9	1350	35.5	2.90	25.6	94.4	3.60	5.7	1550	36.7	2.99	26.5	91.9	3.60	5.2	1350	46.8	28.5	0.61	1.81	53.0	25.9	-																																																																																																																																																																																																																																																																																																																																																																																																																																																																																																																																																																																																																																																																																																																														
1550	49.5	31.7	0.64	1.93	56.1	25.7	-	-	-	40	6.0	1.2	2.8	Operation not recommended							Operation not recommended							9.0	2.3	5.3	1350	39.9	3.00	29.7	97.4	3.90	6.1	1550	41.1	3.06	30.6	94.5	3.93	5.6	1350	48.0	30.2	0.63	2.10	55.2	22.9	-	12.0	3.7	8.7	1350	40.6	3.03	30.3	97.9	3.93	6.3	1550	42.0	3.09	31.4	95.1	3.97	5.7	1350	48.6	30.2	0.62	2.01	55.4	24.2	-	1550	51.2	33.6	0.66	2.13	58.5	24.1	-	-	-	50	6.0	1.2	2.7	1350	42.7	3.10	32.1	99.3	4.03	6.6	1550	44.1	3.14	33.3	96.3	4.11	6.1	1350	48.6	31.0	0.64	2.50	57.2	19.4	2.9	9.0	2.2	5.2	1350	44.4	3.16	33.6	100.4	4.11	6.8	1550	45.6	3.21	34.7	97.3	4.17	6.2	1350	49.2	31.4	0.64	2.35	57.2	21.0	2.7	12.0	3.6	8.4	1350	45.2	3.20	34.3	101.0	4.15	7.0	1550	46.7	3.24	35.7	97.9	4.23	6.4	1350	51.8	34.9	0.67	2.46	60.2	21.0	2.9	1550	52.3	35.0	0.67	2.37	60.4	22.0	2.5	2.8	-	60	6.0	1.1	2.6	1350	46.6	3.23	35.6	102.0	4.23	7.4	1550	48.1	3.24	37.0	98.7	4.34	6.8	1350	48.1	31.3	0.65	2.66	57.1	18.1	3.6	9.0	2.2	5.0	1350	48.7	3.31	37.4	103.4	4.31	7.6	1550	50.2	3.33	38.8	100.0	4.42	7.0	1350	50.4	34.7	0.69	2.78	59.9	18.2	3.8	12.0	3.5	8.1	1350	49.8	3.35	38.4	104.2	4.36	7.8	1550	51.4	3.36	40.0	100.7	4.49	7.2	1350	48.9	31.7	0.65	2.51	57.4	19.5	3.3	1550	51.8	35.4	0.68	2.54	60.4	20.3	3.1	3.4	-	70	6.0	1.1	2.5	1350	50.4	3.34	39.0	104.6	4.42	8.3	1550	52.0	3.33	40.6	101.1	4.57	7.7	1350	49.4	31.8	0.65	2.43	57.7	16.4	4.5	9.0	2.1	4.9	1350	52.9	3.44	41.2	106.3	4.50	8.6	1550	54.6	3.43	42.8	102.6	4.66	7.9	1350	47.8	31.9	0.67	2.91	57.7	16.4	4.5	12.0	3.4	7.9	1350	54.3	3.49	42.4	107.2	4.56	8.8	1550	56.0	3.47	44.2	103.5	4.73	8.1	1350	48.8	32.3	0.66	2.77	58.3	17.7	4.2	1550	51.6	36.1	0.70	2.79	61.1	18.5	4.3	-	-	80	6.0	1.1	2.5	1350	53.5	3.52	41.5	106.7	4.45	9.3	1550	55.2	3.48	43.4	103.0	4.65	8.6	1350	49.3	32.5	0.66	2.69	58.5	18.3	3.9	9.0	2.0	4.7	1350	56.5	3.65	44.0	108.7	4.54	9.6	1550	58.3	3.60	46.0	104.8	4.74	8.9	1350	49.9	35.4	0.71	3.01	60.2	16.6	4.7	12.0	3.3	7.6	1350	58.1	3.69	45.5	109.8	4.62	9.9	1550	60.0	3.64	47.6	105.8	4.83	9.2	1350	48.8	32.3	0.66	2.77	58.3	17.7	4.2	1550	49.4	35.3	0.71	3.04	59.8	16.2	5.4	-	-	90	6.0	1.0	2.4	1350	56.5	3.68	43.9	108.7	4.49	10.5	1550	58.4	3.61	46.1	104.9	4.74	9.7	1350	49.3	32.5	0.66	2.69	58.5	18.3	3.9	9.0	2.0	4.5	1350	59.9	3.84	46.8	111.1	4.58	10.8	1550	61.9	3.76	49.1	107.0	4.83	10.0	1350	47.5	31.8	0.67	2.96	57.6	16.0	4.9	12.0	3.2	7.3	1350	61.8	3.87	48.6	112.4	4.67	11.2	1550	63.9	3.80	50.9	108.2	4.92	10.3	1350	49.4	35.3	0.71	3.04	59.8	16.2	5.4	1550	44.8	30.5	0.68	3.22	55.8	13.9	6.1	6.8	-	100	6.0	1.0	2.3	Operation not recommended							Operation not recommended							9.0	1.9	4.4	Operation not recommended							Operation not recommended							12.0	3.1	7.1	1350	56.5	3.68	43.9	108.7	4.49	10.5	1550	58.4	3.61	46.1	104.9	4.74	9.7	1350	42.3	29.6	0.70	3.65	54.8	11.6	8.2	1550	43.7	32.7	0.75	3.70	56.3	11.8	8.9	-	-	110	6.0	1.0	2.2	Operation not recommended							Operation not recommended							9.0	1.8	4.2	Operation not recommended							Operation not recommended							12.0	2.9	6.8	1350	58.1	3.69	45.5	109.8	4.62	9.9	1550	60.0	3.64	47.6	105.8	4.83	9.2	1350	42.8	29.9	0.70	3.59	55.0	11.9	7.6	1550	44.1	33.2	0.75	3.64	56.5	12.1	8.5	-	-	120	6.0	0.9	2.1	Operation not recommended							Operation not recommended							9.0	1.7	4.0	Operation not recommended							Operation not recommended							12.0	2.8	6.5	1350	58.1	3.69	45.5	109.8	4.62	9.9	1550	60.0	3.64	47.6	105.8	4.83	9.2	1350	38.2	27.6	0.72	3.97	51.8	9.6	10.0	1550	39.3	30.5	0.78	4.00	52.9	9.8	10.9	-	-
40	6.0	1.2	2.8	Operation not recommended							Operation not recommended																																																																																																																																																																																																																																																																																																																																																																																																																																																																																																																																																																																																																																																																																																																																												
	9.0	2.3	5.3	1350	39.9	3.00	29.7	97.4	3.90		6.1	1550	41.1	3.06	30.6	94.5	3.93	5.6	1350	48.0	30.2	0.63	2.10	55.2	22.9	-																																																																																																																																																																																																																																																																																																																																																																																																																																																																																																																																																																																																																																																																																																																													
	12.0	3.7	8.7	1350	40.6	3.03	30.3	97.9	3.93	6.3	1550	42.0	3.09	31.4	95.1	3.97	5.7	1350	48.6	30.2	0.62	2.01	55.4	24.2	-																																																																																																																																																																																																																																																																																																																																																																																																																																																																																																																																																																																																																																																																																																																														
1550	51.2	33.6	0.66	2.13	58.5	24.1	-	-	-	50	6.0	1.2	2.7	1350	42.7	3.10	32.1	99.3	4.03	6.6	1550	44.1	3.14	33.3	96.3	4.11	6.1	1350	48.6	31.0	0.64	2.50	57.2	19.4	2.9	9.0	2.2	5.2	1350	44.4	3.16	33.6	100.4	4.11	6.8	1550	45.6	3.21	34.7	97.3	4.17	6.2	1350	49.2	31.4	0.64	2.35	57.2	21.0	2.7	12.0	3.6	8.4	1350	45.2	3.20	34.3	101.0	4.15	7.0	1550	46.7	3.24	35.7	97.9	4.23	6.4	1350	51.8	34.9	0.67	2.46	60.2	21.0	2.9	1550	52.3	35.0	0.67	2.37	60.4	22.0	2.5	2.8	-	60	6.0	1.1	2.6	1350	46.6	3.23	35.6	102.0	4.23	7.4	1550	48.1	3.24	37.0	98.7	4.34	6.8	1350	48.1	31.3	0.65	2.66	57.1	18.1	3.6	9.0	2.2	5.0	1350	48.7	3.31	37.4	103.4	4.31	7.6	1550	50.2	3.33	38.8	100.0	4.42	7.0	1350	50.4	34.7	0.69	2.78	59.9	18.2	3.8	12.0	3.5	8.1	1350	49.8	3.35	38.4	104.2	4.36	7.8	1550	51.4	3.36	40.0	100.7	4.49	7.2	1350	48.9	31.7	0.65	2.51	57.4	19.5	3.3	1550	51.8	35.4	0.68	2.54	60.4	20.3	3.1	3.4	-	70	6.0	1.1	2.5	1350	50.4	3.34	39.0	104.6	4.42	8.3	1550	52.0	3.33	40.6	101.1	4.57	7.7	1350	49.4	31.8	0.65	2.43	57.7	16.4	4.5	9.0	2.1	4.9	1350	52.9	3.44	41.2	106.3	4.50	8.6	1550	54.6	3.43	42.8	102.6	4.66	7.9	1350	47.8	31.9	0.67	2.91	57.7	16.4	4.5	12.0	3.4	7.9	1350	54.3	3.49	42.4	107.2	4.56	8.8	1550	56.0	3.47	44.2	103.5	4.73	8.1	1350	48.8	32.3	0.66	2.77	58.3	17.7	4.2	1550	51.6	36.1	0.70	2.79	61.1	18.5	4.3	-	-	80	6.0	1.1	2.5	1350	53.5	3.52	41.5	106.7	4.45	9.3	1550	55.2	3.48	43.4	103.0	4.65	8.6	1350	49.3	32.5	0.66	2.69	58.5	18.3	3.9	9.0	2.0	4.7	1350	56.5	3.65	44.0	108.7	4.54	9.6	1550	58.3	3.60	46.0	104.8	4.74	8.9	1350	49.9	35.4	0.71	3.01	60.2	16.6	4.7	12.0	3.3	7.6	1350	58.1	3.69	45.5	109.8	4.62	9.9	1550	60.0	3.64	47.6	105.8	4.83	9.2	1350	48.8	32.3	0.66	2.77	58.3	17.7	4.2	1550	49.4	35.3	0.71	3.04	59.8	16.2	5.4	-	-	90	6.0	1.0	2.4	1350	56.5	3.68	43.9	108.7	4.49	10.5	1550	58.4	3.61	46.1	104.9	4.74	9.7	1350	49.3	32.5	0.66	2.69	58.5	18.3	3.9	9.0	2.0	4.5	1350	59.9	3.84	46.8	111.1	4.58	10.8	1550	61.9	3.76	49.1	107.0	4.83	10.0	1350	47.5	31.8	0.67	2.96	57.6	16.0	4.9	12.0	3.2	7.3	1350	61.8	3.87	48.6	112.4	4.67	11.2	1550	63.9	3.80	50.9	108.2	4.92	10.3	1350	49.4	35.3	0.71	3.04	59.8	16.2	5.4	1550	44.8	30.5	0.68	3.22	55.8	13.9	6.1	6.8	-	100	6.0	1.0	2.3	Operation not recommended							Operation not recommended							9.0	1.9	4.4	Operation not recommended							Operation not recommended							12.0	3.1	7.1	1350	56.5	3.68	43.9	108.7	4.49	10.5	1550	58.4	3.61	46.1	104.9	4.74	9.7	1350	42.3	29.6	0.70	3.65	54.8	11.6	8.2	1550	43.7	32.7	0.75	3.70	56.3	11.8	8.9	-	-	110	6.0	1.0	2.2	Operation not recommended							Operation not recommended							9.0	1.8	4.2	Operation not recommended							Operation not recommended							12.0	2.9	6.8	1350	58.1	3.69	45.5	109.8	4.62	9.9	1550	60.0	3.64	47.6	105.8	4.83	9.2	1350	42.8	29.9	0.70	3.59	55.0	11.9	7.6	1550	44.1	33.2	0.75	3.64	56.5	12.1	8.5	-	-	120	6.0	0.9	2.1	Operation not recommended							Operation not recommended							9.0	1.7	4.0	Operation not recommended							Operation not recommended							12.0	2.8	6.5	1350	58.1	3.69	45.5	109.8	4.62	9.9	1550	60.0	3.64	47.6	105.8	4.83	9.2	1350	38.2	27.6	0.72	3.97	51.8	9.6	10.0	1550	39.3	30.5	0.78	4.00	52.9	9.8	10.9	-	-																																																																														
50	6.0	1.2	2.7	1350	42.7	3.10	32.1	99.3	4.03		6.6	1550	44.1	3.14	33.3	96.3	4.11	6.1	1350	48.6	31.0	0.64	2.50	57.2	19.4	2.9																																																																																																																																																																																																																																																																																																																																																																																																																																																																																																																																																																																																																																																																																																																													
	9.0	2.2	5.2	1350	44.4	3.16	33.6	100.4	4.11		6.8	1550	45.6	3.21	34.7	97.3	4.17	6.2	1350	49.2	31.4	0.64	2.35	57.2	21.0	2.7																																																																																																																																																																																																																																																																																																																																																																																																																																																																																																																																																																																																																																																																																																																													
	12.0	3.6	8.4	1350	45.2	3.20	34.3	101.0	4.15	7.0	1550	46.7	3.24	35.7	97.9	4.23	6.4	1350	51.8	34.9	0.67	2.46	60.2	21.0	2.9																																																																																																																																																																																																																																																																																																																																																																																																																																																																																																																																																																																																																																																																																																																														
1550	52.3	35.0	0.67	2.37	60.4	22.0	2.5	2.8	-	60	6.0	1.1	2.6	1350	46.6	3.23	35.6	102.0	4.23	7.4	1550	48.1	3.24	37.0	98.7	4.34	6.8	1350	48.1	31.3	0.65	2.66	57.1	18.1	3.6	9.0	2.2	5.0	1350	48.7	3.31	37.4	103.4	4.31	7.6	1550	50.2	3.33	38.8	100.0	4.42	7.0	1350	50.4	34.7	0.69	2.78	59.9	18.2	3.8	12.0	3.5	8.1	1350	49.8	3.35	38.4	104.2	4.36	7.8	1550	51.4	3.36	40.0	100.7	4.49	7.2	1350	48.9	31.7	0.65	2.51	57.4	19.5	3.3	1550	51.8	35.4	0.68	2.54	60.4	20.3	3.1	3.4	-	70	6.0	1.1	2.5	1350	50.4	3.34	39.0	104.6	4.42	8.3	1550	52.0	3.33	40.6	101.1	4.57	7.7	1350	49.4	31.8	0.65	2.43	57.7	16.4	4.5	9.0	2.1	4.9	1350	52.9	3.44	41.2	106.3	4.50	8.6	1550	54.6	3.43	42.8	102.6	4.66	7.9	1350	47.8	31.9	0.67	2.91	57.7	16.4	4.5	12.0	3.4	7.9	1350	54.3	3.49	42.4	107.2	4.56	8.8	1550	56.0	3.47	44.2	103.5	4.73	8.1	1350	48.8	32.3	0.66	2.77	58.3	17.7	4.2	1550	51.6	36.1	0.70	2.79	61.1	18.5	4.3	-	-	80	6.0	1.1	2.5	1350	53.5	3.52	41.5	106.7	4.45	9.3	1550	55.2	3.48	43.4	103.0	4.65	8.6	1350	49.3	32.5	0.66	2.69	58.5	18.3	3.9	9.0	2.0	4.7	1350	56.5	3.65	44.0	108.7	4.54	9.6	1550	58.3	3.60	46.0	104.8	4.74	8.9	1350	49.9	35.4	0.71	3.01	60.2	16.6	4.7	12.0	3.3	7.6	1350	58.1	3.69	45.5	109.8	4.62	9.9	1550	60.0	3.64	47.6	105.8	4.83	9.2	1350	48.8	32.3	0.66	2.77	58.3	17.7	4.2	1550	49.4	35.3	0.71	3.04	59.8	16.2	5.4	-	-	90	6.0	1.0	2.4	1350	56.5	3.68	43.9	108.7	4.49	10.5	1550	58.4	3.61	46.1	104.9	4.74	9.7	1350	49.3	32.5	0.66	2.69	58.5	18.3	3.9	9.0	2.0	4.5	1350	59.9	3.84	46.8	111.1	4.58	10.8	1550	61.9	3.76	49.1	107.0	4.83	10.0	1350	47.5	31.8	0.67	2.96	57.6	16.0	4.9	12.0	3.2	7.3	1350	61.8	3.87	48.6	112.4	4.67	11.2	1550	63.9	3.80	50.9	108.2	4.92	10.3	1350	49.4	35.3	0.71	3.04	59.8	16.2	5.4	1550	44.8	30.5	0.68	3.22	55.8	13.9	6.1	6.8	-	100	6.0	1.0	2.3	Operation not recommended							Operation not recommended							9.0	1.9	4.4	Operation not recommended							Operation not recommended							12.0	3.1	7.1	1350	56.5	3.68	43.9	108.7	4.49	10.5	1550	58.4	3.61	46.1	104.9	4.74	9.7	1350	42.3	29.6	0.70	3.65	54.8	11.6	8.2	1550	43.7	32.7	0.75	3.70	56.3	11.8	8.9	-	-	110	6.0	1.0	2.2	Operation not recommended							Operation not recommended							9.0	1.8	4.2	Operation not recommended							Operation not recommended							12.0	2.9	6.8	1350	58.1	3.69	45.5	109.8	4.62	9.9	1550	60.0	3.64	47.6	105.8	4.83	9.2	1350	42.8	29.9	0.70	3.59	55.0	11.9	7.6	1550	44.1	33.2	0.75	3.64	56.5	12.1	8.5	-	-	120	6.0	0.9	2.1	Operation not recommended							Operation not recommended							9.0	1.7	4.0	Operation not recommended							Operation not recommended							12.0	2.8	6.5	1350	58.1	3.69	45.5	109.8	4.62	9.9	1550	60.0	3.64	47.6	105.8	4.83	9.2	1350	38.2	27.6	0.72	3.97	51.8	9.6	10.0	1550	39.3	30.5	0.78	4.00	52.9	9.8	10.9	-	-																																																																																																																																																																				
60	6.0	1.1	2.6	1350	46.6	3.23	35.6	102.0	4.23		7.4	1550	48.1	3.24	37.0	98.7	4.34	6.8	1350	48.1	31.3	0.65	2.66	57.1	18.1	3.6																																																																																																																																																																																																																																																																																																																																																																																																																																																																																																																																																																																																																																																																																																																													
	9.0	2.2	5.0	1350	48.7	3.31	37.4	103.4	4.31		7.6	1550	50.2	3.33	38.8	100.0	4.42	7.0	1350	50.4	34.7	0.69	2.78	59.9	18.2	3.8																																																																																																																																																																																																																																																																																																																																																																																																																																																																																																																																																																																																																																																																																																																													
	12.0	3.5	8.1	1350	49.8	3.35	38.4	104.2	4.36	7.8	1550	51.4	3.36	40.0	100.7	4.49	7.2	1350	48.9	31.7	0.65	2.51	57.4	19.5	3.3																																																																																																																																																																																																																																																																																																																																																																																																																																																																																																																																																																																																																																																																																																																														
1550	51.8	35.4	0.68	2.54	60.4	20.3	3.1	3.4	-	70	6.0	1.1	2.5	1350	50.4	3.34	39.0	104.6	4.42	8.3	1550	52.0	3.33	40.6	101.1	4.57	7.7	1350	49.4	31.8	0.65	2.43	57.7	16.4	4.5	9.0	2.1	4.9	1350	52.9	3.44	41.2	106.3	4.50	8.6	1550	54.6	3.43	42.8	102.6	4.66	7.9	1350	47.8	31.9	0.67	2.91	57.7	16.4	4.5	12.0	3.4	7.9	1350	54.3	3.49	42.4	107.2	4.56	8.8	1550	56.0	3.47	44.2	103.5	4.73	8.1	1350	48.8	32.3	0.66	2.77	58.3	17.7	4.2	1550	51.6	36.1	0.70	2.79	61.1	18.5	4.3	-	-	80	6.0	1.1	2.5	1350	53.5	3.52	41.5	106.7	4.45	9.3	1550	55.2	3.48	43.4	103.0	4.65	8.6	1350	49.3	32.5	0.66	2.69	58.5	18.3	3.9	9.0	2.0	4.7	1350	56.5	3.65	44.0	108.7	4.54	9.6	1550	58.3	3.60	46.0	104.8	4.74	8.9	1350	49.9	35.4	0.71	3.01	60.2	16.6	4.7	12.0	3.3	7.6	1350	58.1	3.69	45.5	109.8	4.62	9.9	1550	60.0	3.64	47.6	105.8	4.83	9.2	1350	48.8	32.3	0.66	2.77	58.3	17.7	4.2	1550	49.4	35.3	0.71	3.04	59.8	16.2	5.4	-	-	90	6.0	1.0	2.4	1350	56.5	3.68	43.9	108.7	4.49	10.5	1550	58.4	3.61	46.1	104.9	4.74	9.7	1350	49.3	32.5	0.66	2.69	58.5	18.3	3.9	9.0	2.0	4.5	1350	59.9	3.84	46.8	111.1	4.58	10.8	1550	61.9	3.76	49.1	107.0	4.83	10.0	1350	47.5	31.8	0.67	2.96	57.6	16.0	4.9	12.0	3.2	7.3	1350	61.8	3.87	48.6	112.4	4.67	11.2	1550	63.9	3.80	50.9	108.2	4.92	10.3	1350	49.4	35.3	0.71	3.04	59.8	16.2	5.4	1550	44.8	30.5	0.68	3.22	55.8	13.9	6.1	6.8	-	100	6.0	1.0	2.3	Operation not recommended							Operation not recommended							9.0	1.9	4.4	Operation not recommended							Operation not recommended							12.0	3.1	7.1	1350	56.5	3.68	43.9	108.7	4.49	10.5	1550	58.4	3.61	46.1	104.9	4.74	9.7	1350	42.3	29.6	0.70	3.65	54.8	11.6	8.2	1550	43.7	32.7	0.75	3.70	56.3	11.8	8.9	-	-	110	6.0	1.0	2.2	Operation not recommended							Operation not recommended							9.0	1.8	4.2	Operation not recommended							Operation not recommended							12.0	2.9	6.8	1350	58.1	3.69	45.5	109.8	4.62	9.9	1550	60.0	3.64	47.6	105.8	4.83	9.2	1350	42.8	29.9	0.70	3.59	55.0	11.9	7.6	1550	44.1	33.2	0.75	3.64	56.5	12.1	8.5	-	-	120	6.0	0.9	2.1	Operation not recommended							Operation not recommended							9.0	1.7	4.0	Operation not recommended							Operation not recommended							12.0	2.8	6.5	1350	58.1	3.69	45.5	109.8	4.62	9.9	1550	60.0	3.64	47.6	105.8	4.83	9.2	1350	38.2	27.6	0.72	3.97	51.8	9.6	10.0	1550	39.3	30.5	0.78	4.00	52.9	9.8	10.9	-	-																																																																																																																																																																																																																																																										
70	6.0	1.1	2.5	1350	50.4	3.34	39.0	104.6	4.42		8.3	1550	52.0	3.33	40.6	101.1	4.57	7.7	1350	49.4	31.8	0.65	2.43	57.7	16.4	4.5																																																																																																																																																																																																																																																																																																																																																																																																																																																																																																																																																																																																																																																																																																																													
	9.0	2.1	4.9	1350	52.9	3.44	41.2	106.3	4.50		8.6	1550	54.6	3.43	42.8	102.6	4.66	7.9	1350	47.8	31.9	0.67	2.91	57.7	16.4	4.5																																																																																																																																																																																																																																																																																																																																																																																																																																																																																																																																																																																																																																																																																																																													
	12.0	3.4	7.9	1350	54.3	3.49	42.4	107.2	4.56	8.8	1550	56.0	3.47	44.2	103.5	4.73	8.1	1350	48.8	32.3	0.66	2.77	58.3	17.7	4.2																																																																																																																																																																																																																																																																																																																																																																																																																																																																																																																																																																																																																																																																																																																														
1550	51.6	36.1	0.70	2.79	61.1	18.5	4.3	-	-	80	6.0	1.1	2.5	1350	53.5	3.52	41.5	106.7	4.45	9.3	1550	55.2	3.48	43.4	103.0	4.65	8.6	1350	49.3	32.5	0.66	2.69	58.5	18.3	3.9	9.0	2.0	4.7	1350	56.5	3.65	44.0	108.7	4.54	9.6	1550	58.3	3.60	46.0	104.8	4.74	8.9	1350	49.9	35.4	0.71	3.01	60.2	16.6	4.7	12.0	3.3	7.6	1350	58.1	3.69	45.5	109.8	4.62	9.9	1550	60.0	3.64	47.6	105.8	4.83	9.2	1350	48.8	32.3	0.66	2.77	58.3	17.7	4.2	1550	49.4	35.3	0.71	3.04	59.8	16.2	5.4	-	-	90	6.0	1.0	2.4	1350	56.5	3.68	43.9	108.7	4.49	10.5	1550	58.4	3.61	46.1	104.9	4.74	9.7	1350	49.3	32.5	0.66	2.69	58.5	18.3	3.9	9.0	2.0	4.5	1350	59.9	3.84	46.8	111.1	4.58	10.8	1550	61.9	3.76	49.1	107.0	4.83	10.0	1350	47.5	31.8	0.67	2.96	57.6	16.0	4.9	12.0	3.2	7.3	1350	61.8	3.87	48.6	112.4	4.67	11.2	1550	63.9	3.80	50.9	108.2	4.92	10.3	1350	49.4	35.3	0.71	3.04	59.8	16.2	5.4	1550	44.8	30.5	0.68	3.22	55.8	13.9	6.1	6.8	-	100	6.0	1.0	2.3	Operation not recommended							Operation not recommended							9.0	1.9	4.4	Operation not recommended							Operation not recommended							12.0	3.1	7.1	1350	56.5	3.68	43.9	108.7	4.49	10.5	1550	58.4	3.61	46.1	104.9	4.74	9.7	1350	42.3	29.6	0.70	3.65	54.8	11.6	8.2	1550	43.7	32.7	0.75	3.70	56.3	11.8	8.9	-	-	110	6.0	1.0	2.2	Operation not recommended							Operation not recommended							9.0	1.8	4.2	Operation not recommended							Operation not recommended							12.0	2.9	6.8	1350	58.1	3.69	45.5	109.8	4.62	9.9	1550	60.0	3.64	47.6	105.8	4.83	9.2	1350	42.8	29.9	0.70	3.59	55.0	11.9	7.6	1550	44.1	33.2	0.75	3.64	56.5	12.1	8.5	-	-	120	6.0	0.9	2.1	Operation not recommended							Operation not recommended							9.0	1.7	4.0	Operation not recommended							Operation not recommended							12.0	2.8	6.5	1350	58.1	3.69	45.5	109.8	4.62	9.9	1550	60.0	3.64	47.6	105.8	4.83	9.2	1350	38.2	27.6	0.72	3.97	51.8	9.6	10.0	1550	39.3	30.5	0.78	4.00	52.9	9.8	10.9	-	-																																																																																																																																																																																																																																																																																																																																																
80	6.0	1.1	2.5	1350	53.5	3.52	41.5	106.7	4.45		9.3	1550	55.2	3.48	43.4	103.0	4.65	8.6	1350	49.3	32.5	0.66	2.69	58.5	18.3	3.9																																																																																																																																																																																																																																																																																																																																																																																																																																																																																																																																																																																																																																																																																																																													
	9.0	2.0	4.7	1350	56.5	3.65	44.0	108.7	4.54		9.6	1550	58.3	3.60	46.0	104.8	4.74	8.9	1350	49.9	35.4	0.71	3.01	60.2	16.6	4.7																																																																																																																																																																																																																																																																																																																																																																																																																																																																																																																																																																																																																																																																																																																													
	12.0	3.3	7.6	1350	58.1	3.69	45.5	109.8	4.62	9.9	1550	60.0	3.64	47.6	105.8	4.83	9.2	1350	48.8	32.3	0.66	2.77	58.3	17.7	4.2																																																																																																																																																																																																																																																																																																																																																																																																																																																																																																																																																																																																																																																																																																																														
1550	49.4	35.3	0.71	3.04	59.8	16.2	5.4	-	-	90	6.0	1.0	2.4	1350	56.5	3.68	43.9	108.7	4.49	10.5	1550	58.4	3.61	46.1	104.9	4.74	9.7	1350	49.3	32.5	0.66	2.69	58.5	18.3	3.9	9.0	2.0	4.5	1350	59.9	3.84	46.8	111.1	4.58	10.8	1550	61.9	3.76	49.1	107.0	4.83	10.0	1350	47.5	31.8	0.67	2.96	57.6	16.0	4.9	12.0	3.2	7.3	1350	61.8	3.87	48.6	112.4	4.67	11.2	1550	63.9	3.80	50.9	108.2	4.92	10.3	1350	49.4	35.3	0.71	3.04	59.8	16.2	5.4	1550	44.8	30.5	0.68	3.22	55.8	13.9	6.1	6.8	-	100	6.0	1.0	2.3	Operation not recommended							Operation not recommended							9.0	1.9	4.4	Operation not recommended							Operation not recommended							12.0	3.1	7.1	1350	56.5	3.68	43.9	108.7	4.49	10.5	1550	58.4	3.61	46.1	104.9	4.74	9.7	1350	42.3	29.6	0.70	3.65	54.8	11.6	8.2	1550	43.7	32.7	0.75	3.70	56.3	11.8	8.9	-	-	110	6.0	1.0	2.2	Operation not recommended							Operation not recommended							9.0	1.8	4.2	Operation not recommended							Operation not recommended							12.0	2.9	6.8	1350	58.1	3.69	45.5	109.8	4.62	9.9	1550	60.0	3.64	47.6	105.8	4.83	9.2	1350	42.8	29.9	0.70	3.59	55.0	11.9	7.6	1550	44.1	33.2	0.75	3.64	56.5	12.1	8.5	-	-	120	6.0	0.9	2.1	Operation not recommended							Operation not recommended							9.0	1.7	4.0	Operation not recommended							Operation not recommended							12.0	2.8	6.5	1350	58.1	3.69	45.5	109.8	4.62	9.9	1550	60.0	3.64	47.6	105.8	4.83	9.2	1350	38.2	27.6	0.72	3.97	51.8	9.6	10.0	1550	39.3	30.5	0.78	4.00	52.9	9.8	10.9	-	-																																																																																																																																																																																																																																																																																																																																																																																																																																						
90	6.0	1.0	2.4	1350	56.5	3.68	43.9	108.7	4.49		10.5	1550	58.4	3.61	46.1	104.9	4.74	9.7	1350	49.3	32.5	0.66	2.69	58.5	18.3	3.9																																																																																																																																																																																																																																																																																																																																																																																																																																																																																																																																																																																																																																																																																																																													
	9.0	2.0	4.5	1350	59.9	3.84	46.8	111.1	4.58		10.8	1550	61.9	3.76	49.1	107.0	4.83	10.0	1350	47.5	31.8	0.67	2.96	57.6	16.0	4.9																																																																																																																																																																																																																																																																																																																																																																																																																																																																																																																																																																																																																																																																																																																													
	12.0	3.2	7.3	1350	61.8	3.87	48.6	112.4	4.67	11.2	1550	63.9	3.80	50.9	108.2	4.92	10.3	1350	49.4	35.3	0.71	3.04	59.8	16.2	5.4																																																																																																																																																																																																																																																																																																																																																																																																																																																																																																																																																																																																																																																																																																																														
1550	44.8	30.5	0.68	3.22	55.8	13.9	6.1	6.8	-	100	6.0	1.0	2.3	Operation not recommended							Operation not recommended							9.0	1.9	4.4	Operation not recommended							Operation not recommended							12.0	3.1	7.1	1350	56.5	3.68	43.9	108.7	4.49	10.5	1550	58.4	3.61	46.1	104.9	4.74	9.7	1350	42.3	29.6	0.70	3.65	54.8	11.6	8.2	1550	43.7	32.7	0.75	3.70	56.3	11.8	8.9	-	-	110	6.0	1.0	2.2	Operation not recommended							Operation not recommended							9.0	1.8	4.2	Operation not recommended							Operation not recommended							12.0	2.9	6.8	1350	58.1	3.69	45.5	109.8	4.62	9.9	1550	60.0	3.64	47.6	105.8	4.83	9.2	1350	42.8	29.9	0.70	3.59	55.0	11.9	7.6	1550	44.1	33.2	0.75	3.64	56.5	12.1	8.5	-	-	120	6.0	0.9	2.1	Operation not recommended							Operation not recommended							9.0	1.7	4.0	Operation not recommended							Operation not recommended							12.0	2.8	6.5	1350	58.1	3.69	45.5	109.8	4.62	9.9	1550	60.0	3.64	47.6	105.8	4.83	9.2	1350	38.2	27.6	0.72	3.97	51.8	9.6	10.0	1550	39.3	30.5	0.78	4.00	52.9	9.8	10.9	-	-																																																																																																																																																																																																																																																																																																																																																																																																																																																																																																																												
100	6.0	1.0	2.3	Operation not recommended							Operation not recommended																																																																																																																																																																																																																																																																																																																																																																																																																																																																																																																																																																																																																																																																																																																																												
	9.0	1.9	4.4	Operation not recommended							Operation not recommended																																																																																																																																																																																																																																																																																																																																																																																																																																																																																																																																																																																																																																																																																																																																												
	12.0	3.1	7.1	1350	56.5	3.68	43.9	108.7	4.49	10.5	1550	58.4	3.61	46.1	104.9	4.74	9.7	1350	42.3	29.6	0.70	3.65	54.8	11.6	8.2																																																																																																																																																																																																																																																																																																																																																																																																																																																																																																																																																																																																																																																																																																																														
1550	43.7	32.7	0.75	3.70	56.3	11.8	8.9	-	-	110	6.0	1.0	2.2	Operation not recommended							Operation not recommended							9.0	1.8	4.2	Operation not recommended							Operation not recommended							12.0	2.9	6.8	1350	58.1	3.69	45.5	109.8	4.62	9.9	1550	60.0	3.64	47.6	105.8	4.83	9.2	1350	42.8	29.9	0.70	3.59	55.0	11.9	7.6	1550	44.1	33.2	0.75	3.64	56.5	12.1	8.5	-	-	120	6.0	0.9	2.1	Operation not recommended							Operation not recommended							9.0	1.7	4.0	Operation not recommended							Operation not recommended							12.0	2.8	6.5	1350	58.1	3.69	45.5	109.8	4.62	9.9	1550	60.0	3.64	47.6	105.8	4.83	9.2	1350	38.2	27.6	0.72	3.97	51.8	9.6	10.0	1550	39.3	30.5	0.78	4.00	52.9	9.8	10.9	-	-																																																																																																																																																																																																																																																																																																																																																																																																																																																																																																																																																																																																		
110	6.0	1.0	2.2	Operation not recommended							Operation not recommended																																																																																																																																																																																																																																																																																																																																																																																																																																																																																																																																																																																																																																																																																																																																												
	9.0	1.8	4.2	Operation not recommended							Operation not recommended																																																																																																																																																																																																																																																																																																																																																																																																																																																																																																																																																																																																																																																																																																																																												
	12.0	2.9	6.8	1350	58.1	3.69	45.5	109.8	4.62	9.9	1550	60.0	3.64	47.6	105.8	4.83	9.2	1350	42.8	29.9	0.70	3.59	55.0	11.9	7.6																																																																																																																																																																																																																																																																																																																																																																																																																																																																																																																																																																																																																																																																																																																														
1550	44.1	33.2	0.75	3.64	56.5	12.1	8.5	-	-	120	6.0	0.9	2.1	Operation not recommended							Operation not recommended							9.0	1.7	4.0	Operation not recommended							Operation not recommended							12.0	2.8	6.5	1350	58.1	3.69	45.5	109.8	4.62	9.9	1550	60.0	3.64	47.6	105.8	4.83	9.2	1350	38.2	27.6	0.72	3.97	51.8	9.6	10.0	1550	39.3	30.5	0.78	4.00	52.9	9.8	10.9	-	-																																																																																																																																																																																																																																																																																																																																																																																																																																																																																																																																																																																																																																																																								
120	6.0	0.9	2.1	Operation not recommended							Operation not recommended																																																																																																																																																																																																																																																																																																																																																																																																																																																																																																																																																																																																																																																																																																																																												
	9.0	1.7	4.0	Operation not recommended							Operation not recommended																																																																																																																																																																																																																																																																																																																																																																																																																																																																																																																																																																																																																																																																																																																																												
	12.0	2.8	6.5	1350	58.1	3.69	45.5	109.8	4.62	9.9	1550	60.0	3.64	47.6	105.8	4.83	9.2	1350	38.2	27.6	0.72	3.97	51.8	9.6	10.0																																																																																																																																																																																																																																																																																																																																																																																																																																																																																																																																																																																																																																																																																																																														
1550	39.3	30.5	0.78	4.00	52.9	9.8	10.9	-	-																																																																																																																																																																																																																																																																																																																																																																																																																																																																																																																																																																																																																																																																																																																																														

Multiple Flow Rates (for EWT) are shown in the table above. The lowest flow rate shown is used for geothermal open loop/well water systems with a minimum 50° F. The second flow rate shown is the minimum geothermal closed loop flow rate. The third flow rate shown is optimum for geothermal closed loop and the suggested flow rate for boiler tower applications.

NDS064 - Performance Data

Low Speed (1500 CFM)

EWT °F	Flow gpm	WPD		HEATING - EAT 70°F							COOLING - EAT 80/67°F														
		PSI	FT	Airflow cfm	HC kBtuh	Power kW	HE kBtuh	LAT °F	COP	HWC kBtuh	Airflow cfm	TC kBtuh	SC kBtuh	S/T Ratio	Power kW	HR kBtuh	EER	HWC kBtuh							
20	6.0	1.0	2.4	Operation not recommended							Operation not recommended														
	10.0	2.7	6.2	Operation not recommended							Operation not recommended														
	14.0	5.1	11.8	1250	25.8	2.66	16.8	89.1	2.85	4.9	1500	26.7	2.69	17.5	86.5	2.91	4.4								
30	6.0	1.0	2.3	Operation not recommended							Operation not recommended														
	10.0	2.6	6.0	1250	30.0	2.74	20.6	92.2	3.21	4.9	1500	31.0	2.77	21.6	89.2	3.28	4.5	1250	45.9	27.0	0.59	1.42	50.8	32.2	-
	14.0	5.0	11.5	1250	31.0	2.74	21.7	93.0	3.32	5.1	1500	32.1	2.77	22.6	89.8	3.39	4.6	1250	46.0	26.9	0.59	1.39	50.8	33.1	-
40	6.0	1.0	2.3	Operation not recommended							Operation not recommended														
	10.0	2.5	5.9	1250	35.4	2.83	25.7	96.2	3.66	5.2	1500	36.3	2.84	26.6	92.4	3.75	4.8	1250	47.3	27.7	0.59	1.56	52.6	30.2	-
	14.0	4.8	11.1	1250	36.5	2.84	26.8	97.0	3.76	5.4	1500	37.5	2.85	27.8	93.1	3.85	4.9	1250	47.4	27.6	0.58	1.53	52.6	31.0	-
50	6.0	0.9	2.2	1250	39.8	2.88	30.0	99.5	4.05	5.5	1500	40.9	2.88	31.0	95.2	4.16	5.1	1250	48.4	28.0	0.58	1.81	54.6	26.7	1.8
	10.0	2.5	5.7	1250	40.4	2.93	30.4	99.9	4.04	5.7	1500	41.3	2.91	31.4	95.5	4.16	5.2	1250	48.5	28.3	0.58	1.75	54.5	27.8	1.7
	14.0	4.7	10.8	1250	41.6	2.95	31.6	100.8	4.14	5.8	1500	42.6	2.93	32.6	96.3	4.26	5.3	1250	48.7	28.3	0.58	1.71	54.5	28.4	1.5
60	6.0	0.9	2.1	1250	44.3	2.97	34.1	102.8	4.37	6.0	1500	45.2	2.95	35.2	97.9	4.50	5.6	1250	46.7	27.4	0.59	2.02	53.6	23.1	2.5
	10.0	2.4	5.5	1250	45.7	3.02	35.3	103.8	4.42	6.2	1500	46.4	2.98	36.2	98.6	4.56	5.7	1250	46.9	27.7	0.59	1.96	53.6	23.9	2.4
	14.0	4.5	10.4	1250	46.8	3.05	36.3	104.6	4.49	6.4	1500	47.5	3.01	37.2	99.3	4.63	5.9	1250	47.1	27.7	0.59	1.92	53.6	24.5	2.2
70	6.0	0.9	2.0	1250	48.7	3.07	38.2	106.0	4.65	6.7	1500	49.5	3.01	39.2	100.5	4.81	6.2	1250	45.9	27.8	0.61	2.29	53.7	20.1	3.6
	10.0	2.3	5.3	1250	50.7	3.12	40.1	107.6	4.77	6.9	1500	51.3	3.05	40.9	101.7	4.93	6.4	1250	47.3	31.1	0.66	2.38	55.4	19.9	3.8
	14.0	4.4	10.1	1250	51.7	3.15	40.9	108.3	4.81	7.1	1500	52.2	3.08	41.7	102.3	4.97	6.5	1250	46.1	28.0	0.61	2.22	53.7	20.8	3.3
80	6.0	0.9	2.0	1250	52.2	3.08	41.7	102.3	4.97	6.5	1500	52.2	3.08	41.7	102.3	4.97	6.5	1250	47.6	31.5	0.66	2.32	55.5	20.5	3.6
	10.0	2.2	5.1	1250	52.8	3.16	42.0	109.1	4.89	7.4	1500	53.2	3.09	42.7	102.9	5.05	6.9	1250	46.4	28.1	0.61	2.17	53.8	21.4	3.1
	14.0	4.2	9.8	1250	56.4	3.25	45.3	111.8	5.08	7.9	1500	56.6	3.16	45.8	104.9	5.25	7.3	1250	47.8	31.6	0.66	2.27	55.6	21.1	3.4
90	6.0	0.8	1.9	1250	56.7	3.25	45.6	112.0	5.11	8.3	1500	56.9	3.17	46.1	105.1	5.26	7.7	1250	44.5	27.2	0.61	2.48	53.0	18.0	4.3
	10.0	2.1	5.0	1250	57.9	3.25	45.6	112.0	5.11	8.3	1500	56.9	3.17	46.1	105.1	5.26	7.7	1250	44.5	27.2	0.61	2.48	53.0	18.0	4.3
	14.0	4.1	9.4	1250	60.6	3.30	49.3	114.9	5.37	8.6	1500	60.6	3.18	49.7	107.4	5.57	8.0	1250	45.9	30.5	0.66	2.57	54.7	17.9	4.7
100	6.0	0.8	1.8	Operation not recommended							Operation not recommended														
	10.0	2.1	4.8	Operation not recommended							Operation not recommended														
	14.0	3.9	9.1	1250	56.7	3.25	45.6	112.0	5.11	8.3	1500	56.9	3.17	46.1	105.1	5.26	7.7	1250	39.4	25.7	0.65	3.26	50.5	12.1	8.0
110	6.0	0.8	1.8	Operation not recommended							Operation not recommended														
	10.0	2.0	4.6	Operation not recommended							Operation not recommended														
	14.0	3.8	8.7	1250	56.7	3.25	45.6	112.0	5.11	8.3	1500	56.9	3.17	46.1	105.1	5.26	7.7	1250	39.8	26.1	0.66	3.21	50.7	12.4	7.4
120	6.0	0.7	1.7	Operation not recommended							Operation not recommended														
	10.0	1.9	4.4	Operation not recommended							Operation not recommended														
	14.0	3.6	8.4	1250	56.7	3.25	45.6	112.0	5.11	8.3	1500	56.9	3.17	46.1	105.1	5.26	7.7	1250	41.0	28.8	0.70	3.29	52.3	12.5	8.2

Multiple Flow Rates (for EWT) are shown in the table above. The lowest flow rate shown is used for geothermal open loop/well water systems with a minimum 50° F. The second flow rate shown is the minimum geothermal closed loop flow rate. The third flow rate shown is optimum for geothermal closed loop and the suggested flow rate for boiler tower applications.

NDS064 - Performance Data

High Speed (1800 CFM)

EWT °F	Flow gpm	WPD		HEATING - EAT 70°F							COOLING - EAT 80/67 °F															
		PSI	FT	Airflow cfm	HC kBtuh	Power kW	HE kBtuh	LAT °F	COP	HWC kBtuh	Airflow cfm	TC kBtuh	SC kBtuh	S/T Ratio	Power kW	HR kBtuh	EER	HWC kBtuh								
20	8.0	1.8	4.2	Operation not recommended							Operation not recommended															
	12.0	3.8	8.8	Operation not recommended							Operation not recommended															
	16.0	6.5	15.1	1500	38.2	3.68	25.7	93.6	3.04	6.0	1800	39.2	3.85	26.0	90.1	2.98	5.4									
30	8.0	1.8	4.1	Operation not recommended							Operation not recommended															
	12.0	3.7	8.6	1500	44.1	3.69	31.5	97.2	3.50	6.3	1800	45.3	3.93	31.9	93.3	3.38	5.8	1500	57.9	37.0	0.64	2.32	65.8	24.9	-	
	16.0	6.4	14.7	1500	44.7	3.79	31.8	97.6	3.46	6.5	1800	45.8	3.97	32.2	93.5	3.38	5.9	1500	58.5	37.4	0.64	2.28	66.3	25.6	-	
40	8.0	1.7	4.0	Operation not recommended							Operation not recommended															
	12.0	3.6	8.3	1500	50.7	3.94	37.3	101.3	3.77	7.0	1800	51.9	4.11	37.9	96.7	3.70	6.4	1500	60.2	38.0	0.63	2.67	69.3	22.5	-	
	16.0	6.2	14.2	1500	51.5	4.01	37.8	101.8	3.76	7.2	1800	52.7	4.15	38.5	97.1	3.72	6.5	1500	60.8	38.4	0.63	2.62	69.7	23.2	-	
50	8.0	1.7	3.8	1500	54.1	4.10	40.1	103.4	3.87	7.5	1800	55.3	4.23	40.8	98.4	3.83	7.0	1500	61.1	38.3	0.63	3.12	71.8	19.6	3.4	
	12.0	3.5	8.1	1500	57.2	4.18	43.0	105.3	4.01	7.8	1800	58.4	4.29	43.8	100.0	3.99	7.1	1500	61.8	38.7	0.63	3.06	72.2	20.2	3.2	
	16.0	6.0	13.8	1500	58.2	4.23	43.8	105.9	4.03	8.0	1800	59.4	4.33	44.7	100.6	4.02	7.3	1500	62.4	39.1	0.63	3.00	72.6	20.8	3.0	
60	8.0	1.6	3.7	1500	60.7	4.38	45.7	107.5	4.06	8.5	1800	62.0	4.46	46.8	101.9	4.08	7.8	1500	59.7	38.0	0.64	3.37	71.2	17.7	4.2	
	12.0	3.4	7.8	1500	63.5	4.46	48.3	109.2	4.18	8.7	1800	64.8	4.51	49.4	103.4	4.21	8.0	1500	60.3	38.3	0.64	3.30	71.6	18.3	3.9	
	16.0	5.8	13.4	1500	64.8	4.51	49.5	110.0	4.22	9.0	1800	66.3	4.56	50.8	104.1	4.27	8.2	1500	60.9	38.7	0.64	3.24	72.0	18.8	3.6	
70	8.0	1.6	3.6	1500	67.3	4.69	51.3	111.6	4.20	9.5	1800	68.8	4.72	52.7	105.4	4.28	8.8	1500	59.7	38.0	0.64	3.37	71.2	17.7	4.2	
	12.0	3.3	7.5	1500	69.8	4.76	53.6	113.1	4.30	9.8	1800	71.4	4.77	55.1	106.7	4.38	9.0	1500	60.8	38.7	0.64	3.67	73.4	16.6	4.9	
	16.0	5.6	12.9	1500	71.6	4.82	55.1	114.2	4.36	10.1	1800	73.3	4.82	56.8	107.7	4.46	9.3	1500	61.4	39.1	0.64	3.61	73.7	17.0	4.5	
80	8.0	1.5	3.5	1500	74.0	5.00	56.9	115.7	4.34	10.7	1800	75.7	4.97	58.7	108.9	4.46	9.9	1500	63.4	42.5	0.67	3.84	76.5	16.5	5.0	
	12.0	3.2	7.3	1500	75.7	5.06	58.5	116.8	4.39	11.0	1800	77.5	5.01	60.4	109.9	4.54	10.2	1500	56.7	37.0	0.65	4.06	70.6	14.0	6.6	
	16.0	5.4	12.5	1500	78.0	5.12	60.6	118.2	4.46	11.4	1800	80.0	5.06	62.7	111.1	4.63	10.5	1500	57.3	37.3	0.65	3.98	70.9	14.4	6.2	
90	8.0	1.4	3.3	1500	80.7	5.34	62.5	119.8	4.43	12.0	1800	82.6	5.26	64.7	112.5	4.60	11.1	1500	59.4	40.6	0.68	4.24	73.9	14.0	6.7	
	12.0	3.0	7.0	1500	81.8	5.40	63.3	120.5	4.44	12.4	1800	83.8	5.29	65.8	113.1	4.65	11.5	1500	57.9	37.8	0.65	3.91	71.2	14.8	5.7	
	16.0	5.2	12.0	1500	84.6	5.47	65.9	122.2	4.53	12.8	1800	86.8	5.34	68.6	114.6	4.76	11.8	1500	60.1	41.0	0.68	4.17	74.3	14.4	6.4	
100	8.0	1.4	3.2	Operation not recommended							Operation not recommended															
	12.0	2.9	6.8	Operation not recommended							Operation not recommended															
	16.0	5.0	11.6	1500	80.7	5.34	62.5	119.8	4.43	12.0	1800	82.6	5.26	64.7	112.5	4.60	11.1	1500	51.3	35.1	0.68	4.71	67.4	10.9	9.6	
110	8.0	1.3	3.1	Operation not recommended							Operation not recommended															
	12.0	2.8	6.5	Operation not recommended							Operation not recommended															
	16.0	4.8	11.2	1500	81.8	5.40	63.3	120.5	4.44	12.4	1800	83.8	5.29	65.8	113.1	4.65	11.5	1500	53.7	38.1	0.71	5.02	70.9	10.7	10.4	
120	8.0	1.3	3.0	Operation not recommended							Operation not recommended															
	12.0	2.7	6.3	Operation not recommended							Operation not recommended															
	16.0	4.6	10.7	1500	45.8	32.4	0.71	4.95	62.7	9.2	10.9	1800	48.2	35.2	0.73	5.29	66.3	9.1	12.1	1500	45.4	32.1	0.71	5.04	62.6	9.0

Multiple Flow Rates (for EWT) are shown in the table above. The lowest flow rate shown is used for geothermal open loop/well water systems with a minimum 50° F. The second flow rate shown is the minimum geothermal closed loop flow rate. The third flow rate shown is optimum for geothermal closed loop and the suggested flow rate for boiler tower applications.

NDS072 Low Speed - Performance Data

1700 CFM Rated Airflow

EWT °F	Flow gpm	WPD		HEATING - EAT 70°F							COOLING - EAT 80/67 °F							
		PSI	FT	Airflow cfm	HC kBtuh	Power kW	HE kBtuh	LAT °F	COP	HWC kBtuh	Airflow cfm	TC kBtuh	SC kBtuh	S/T Ratio	Power kW	HR kBtuh	EER	HWC kBtuh
20	10.0	2.7	6.2	Operation not recommended							Operation not recommended							
	13.0	3.6	8.3	Operation not recommended							Operation not recommended							
	16.0	6.5	15.0	1400	31.5	3.37	20.0	90.8	2.74	5.8	Operation not recommended							
				1700	33.0	3.41	21.4	88.0	2.84	5.3	Operation not recommended							
30	10.0	2.6	6.0	Operation not recommended							Operation not recommended							
	13.0	3.4	7.9	1400	35.2	3.39	23.6	93.3	3.04	5.9	1400	49.5	30.2	0.61	1.79	55.6	27.6	-
				1700	36.9	3.43	25.2	90.1	3.15	5.4	1700	51.2	34.7	0.68	1.91	57.7	26.8	-
	16.0	6.4	14.8	1400	36.7	3.39	25.2	94.3	3.17	6.1	1400	49.5	30.2	0.61	1.72	55.4	28.7	-
				1700	38.5	3.43	26.7	90.9	3.28	5.5	1700	51.0	34.7	0.68	1.85	57.3	27.6	-
40	10.0	2.6	6.0	Operation not recommended							Operation not recommended							
	13.0	3.3	7.6	1400	41.4	3.49	29.5	97.4	3.47	6.3	1400	51.7	32.0	0.62	1.97	58.4	26.3	-
				1700	43.2	3.50	31.2	93.5	3.62	5.8	1700	53.4	36.6	0.68	2.08	60.5	25.6	-
	16.0	6.2	14.3	1400	42.8	3.50	30.9	98.3	3.59	6.5	1400	51.8	32.0	0.62	1.91	58.3	27.2	-
				1700	44.7	3.51	32.7	94.4	3.73	5.9	1700	53.4	36.5	0.68	2.03	60.3	26.4	-
50	10.0	2.5	5.8	1400	46.2	3.53	34.2	100.6	3.84	6.6	1400	53.6	33.4	0.62	2.27	61.3	23.6	2.0
				1700	48.3	3.49	36.4	96.3	4.05	6.1	1700	55.2	37.9	0.69	2.38	63.4	23.2	2.1
	13.0	3.2	7.4	1400	46.9	3.57	34.8	101.0	3.85	6.8	1400	53.7	33.7	0.63	2.19	61.2	24.5	1.9
				1700	48.8	3.55	36.7	96.6	4.03	6.3	1700	55.4	38.3	0.69	2.31	63.2	24.0	2.0
	16.0	6.0	13.9	1400	48.3	3.59	36.1	101.9	3.94	7.0	1400	53.9	33.7	0.63	2.13	61.1	25.3	1.8
				1700	50.4	3.57	38.2	97.4	4.13	6.4	1700	55.5	38.3	0.69	2.25	63.2	24.7	1.9
60	10.0	2.4	5.5	1400	51.4	3.64	39.0	104.0	4.13	7.3	1400	52.0	33.0	0.63	2.49	60.5	20.9	2.9
				1700	53.6	3.57	41.4	99.2	4.40	6.7	1700	53.6	37.3	0.70	2.60	62.5	20.6	3.0
	13.0	3.1	7.2	1400	52.9	3.68	40.3	105.0	4.21	7.5	1400	52.3	33.3	0.64	2.41	60.5	21.7	2.7
				1700	55.0	3.62	42.6	99.9	4.45	6.9	1700	53.8	37.7	0.70	2.52	62.4	21.3	2.9
	16.0	5.8	13.4	1400	54.1	3.72	41.4	105.8	4.26	7.7	1400	52.5	33.4	0.64	2.37	60.5	22.2	2.5
				1700	56.2	3.65	43.8	100.6	4.51	7.1	1700	54.1	37.8	0.70	2.47	62.5	21.9	2.7
70	10.0	2.3	5.3	1400	56.7	3.77	43.8	107.5	4.40	8.0	1400	51.7	33.5	0.65	2.79	61.2	18.5	4.0
				1700	59.0	3.66	46.5	102.1	4.72	7.4	1700	53.2	37.7	0.71	2.89	63.0	18.4	4.3
	13.0	3.0	7.0	1400	58.9	3.81	45.8	108.9	4.52	8.3	1400	52.0	33.9	0.65	2.70	61.2	19.3	3.8
				1700	61.2	3.70	48.5	103.3	4.84	7.7	1700	53.5	38.1	0.71	2.80	63.0	19.1	4.1
	16.0	5.6	12.9	1400	59.9	3.87	46.7	109.6	4.54	8.5	1400	52.3	34.1	0.65	2.66	61.3	19.6	3.5
				1700	62.2	3.76	49.4	103.9	4.86	7.9	1700	53.9	38.3	0.71	2.75	63.3	19.6	3.9
80	10.0	2.2	5.1	1400	61.1	3.87	47.9	110.4	4.63	9.0	1400	49.3	32.7	0.66	3.10	59.9	15.9	5.6
				1700	63.3	3.73	50.6	104.5	4.97	8.3	1700	50.8	36.6	0.72	3.19	61.7	15.9	5.9
	13.0	2.9	6.8	1400	64.3	3.92	50.9	112.5	4.81	9.2	1400	49.7	33.1	0.67	3.02	60.0	16.4	5.2
				1700	66.6	3.76	53.8	106.3	5.19	8.5	1700	51.2	37.0	0.72	3.11	61.8	16.4	5.6
	16.0	5.5	12.7	1400	65.0	3.97	51.5	113.0	4.80	9.5	1400	50.1	33.3	0.67	2.98	60.2	16.8	4.8
				1700	67.3	3.82	54.2	106.6	5.16	8.8	1700	51.6	37.3	0.72	3.06	62.1	16.9	5.3
90	10.0	2.1	4.9	1400	65.6	3.99	52.0	113.4	4.82	10.0	1400	45.5	31.1	0.68	3.45	57.3	13.2	7.4
				1700	67.8	3.82	54.7	106.9	5.20	9.3	1700	46.9	34.5	0.74	3.52	58.9	13.3	7.9
	13.0	2.7	6.2	1400	69.8	4.04	56.0	116.2	5.07	10.3	1400	46.0	31.4	0.68	3.38	57.5	13.6	6.9
				1700	72.2	3.84	59.1	109.3	5.51	9.6	1700	47.4	35.0	0.74	3.45	59.2	13.7	7.5
	16.0	5.3	12.2	1400	70.3	4.10	56.3	116.5	5.03	10.6	1400	46.5	31.7	0.68	3.32	57.8	14.0	6.4
				1700	72.5	3.91	59.1	109.5	5.43	9.9	1700	47.9	35.2	0.74	3.40	59.5	14.1	7.2
100	10.0	2.1	4.9	Operation not recommended							Operation not recommended							
	13.0	2.6	6.0	1400	44.1	31.3	0.71	3.82	57.1	11.6	9.0	Operation not recommended						
				1700	45.5	34.7	0.76	3.86	58.7	11.8	9.8	Operation not recommended						
	16.0	5.0	11.6	1400	44.7	31.7	0.71	3.76	57.5	11.9	8.4	Operation not recommended						
1700				46.0	35.1	0.76	3.81	59.0	12.1	9.3	Operation not recommended							
110	10.0	2.0	4.6	Operation not recommended							Operation not recommended							
	13.0	2.6	6.0	1400	39.2	29.4	0.75	4.26	53.7	9.2	11.4	Operation not recommended						
				1700	40.5	32.4	0.80	4.28	55.1	9.5	12.4	Operation not recommended						
	16.0	4.8	11.1	1400	39.9	29.8	0.75	4.21	54.2	9.5	10.6	Operation not recommended						
1700				41.0	32.8	0.80	4.23	55.4	9.7	11.8	Operation not recommended							
120	10.0	1.9	4.4	Operation not recommended							Operation not recommended							
	13.0	2.4	5.5	1400	36.6	28.6	0.78	4.81	53.0	7.6	14.1	Operation not recommended						
				1700	38.0	31.4	0.83	4.79	54.3	7.9	15.3	Operation not recommended						
	16.0	4.6	10.6	1400	37.4	29.1	0.78	4.73	53.5	7.9	13.1	Operation not recommended						
1700				38.4	31.9	0.83	4.72	54.5	8.1	14.6	Operation not recommended							

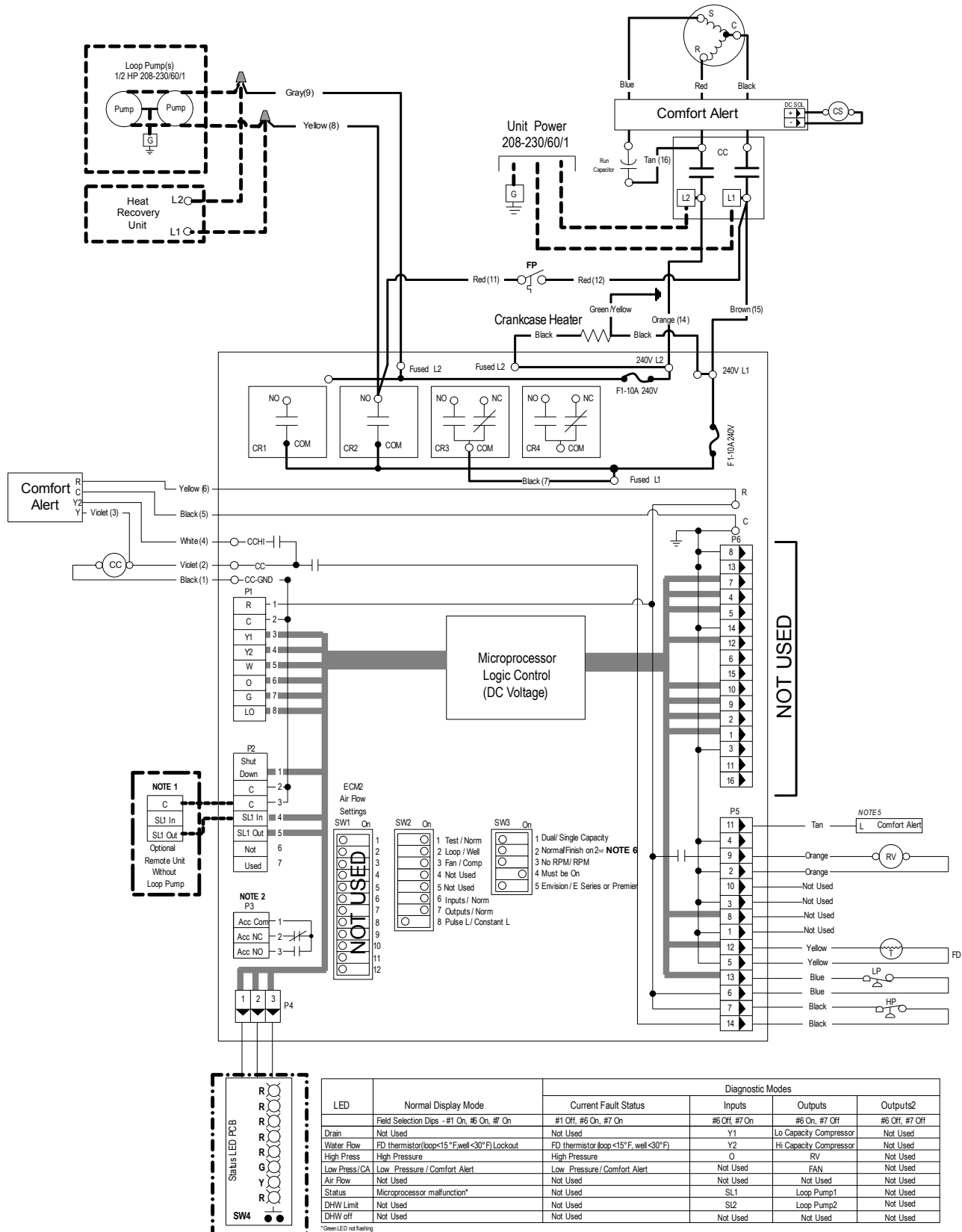
NDS072 High Speed - Performance Data

2200 CFM Rated Airflow

EWT °F	Flow gpm	WPD		HEATING - EAT 70°F							COOLING - EAT 80/67 °F							
		PSI	FT	Airflow cfm	HC kBtuh	Power kW	HE kBtuh	LAT °F	COP	HWC kBtuh	Airflow cfm	TC kBtuh	SC kBtuh	S/T Ratio	Power kW	HR kBtuh	EER	HWC kBtuh
20	12.0	3.8	8.8	Operation not recommended							Operation not recommended							
	15.0	5.8	13.4	Operation not recommended							Operation not recommended							
	18.0	8.6	19.9	1850	44.0	4.15	29.9	92.0	3.11	7.7	Operation not recommended							
				2200	45.7	4.41	30.6	89.2	3.03	6.9	Operation not recommended							
30	12.0	3.7	8.5	Operation not recommended							Operation not recommended							
	15.0	5.7	13.2	1850	51.0	4.31	36.3	95.5	3.47	8.1	1850	63.3	38.6	0.61	2.51	71.9	25.2	-
				2200	52.8	4.58	37.2	92.2	3.38	7.4	2200	64.5	42.0	0.65	2.67	73.6	24.2	-
	18.0	8.1	18.7	1850	51.5	4.35	36.6	95.8	3.47	8.3	1850	63.9	39.3	0.61	2.47	72.4	25.9	-
				2200	53.4	4.63	37.6	92.5	3.38	7.6	2200	65.1	42.3	0.65	2.62	74.1	24.8	-
40	12.0	3.6	8.3	Operation not recommended							Operation not recommended							
	15.0	5.6	12.9	1850	59.2	4.57	43.6	99.6	3.79	8.9	1850	65.8	41.1	0.62	3.03	76.2	21.7	-
				2200	61.2	4.79	44.9	95.8	3.74	8.2	2200	67.1	44.7	0.67	3.22	78.1	20.8	-
	18.0	8.2	18.9	1850	60.0	4.63	44.2	100.0	3.80	9.2	1850	66.5	41.9	0.63	2.98	76.7	22.3	-
				2200	62.1	4.84	45.6	96.1	3.76	8.4	2200	67.8	45.1	0.66	3.17	78.6	21.4	-
50	12.0	3.5	8.1	1850	63.0	4.77	46.7	101.5	3.87	9.6	1850	67.0	42.8	0.64	3.68	79.6	18.2	3.8
				2200	65.1	4.94	48.3	97.4	3.87	8.9	2200	68.4	46.5	0.68	3.91	81.8	17.5	4.0
	15.0	5.5	12.7	1850	66.5	4.86	50.0	103.3	4.02	9.9	1850	67.7	43.2	0.64	3.61	80.0	18.8	3.5
				2200	68.7	5.02	51.6	98.9	4.02	9.1	2200	69.1	47.0	0.68	3.83	82.1	18.0	3.8
	18.0	7.7	17.8	1850	67.7	4.92	51.0	103.9	4.04	10.2	1850	68.4	44.1	0.64	3.55	80.5	19.3	3.3
				2200	70.0	5.07	52.7	99.4	4.05	9.4	2200	69.8	47.4	0.68	3.77	82.6	18.5	3.7
60	12.0	3.4	7.9	1850	70.8	5.08	53.5	105.4	4.09	10.8	1850	65.8	42.8	0.65	3.91	79.2	16.8	4.6
				2200	73.1	5.18	55.4	100.8	4.14	10.0	2200	67.2	46.3	0.69	4.16	81.4	16.2	4.9
	15.0	5.2	12.0	1850	74.0	5.17	56.3	107.0	4.20	11.2	1850	66.5	43.3	0.65	3.83	79.6	17.4	4.3
				2200	76.4	5.25	58.4	102.1	4.26	10.3	2200	67.8	46.8	0.69	4.07	81.7	16.7	4.7
	18.0	7.5	17.3	1850	75.6	5.23	57.8	107.8	4.24	11.5	1850	67.2	43.9	0.65	3.77	80.1	17.9	4.0
				2200	78.1	5.30	60.0	102.9	4.32	10.5	2200	68.6	47.3	0.69	4.01	82.2	17.1	4.5
70	12.0	3.3	7.6	1850	78.7	5.39	60.3	109.4	4.28	12.2	1850	65.8	43.7	0.66	4.35	80.7	15.1	5.8
				2200	81.2	5.43	62.7	104.2	4.38	11.2	2200	67.2	47.0	0.70	4.63	83.0	14.5	6.2
	15.0	5.0	11.6	1850	81.5	5.48	62.8	110.8	4.36	12.5	1850	66.4	44.1	0.66	4.26	81.0	15.6	5.4
				2200	84.1	5.49	65.4	105.4	4.49	11.6	2200	67.8	47.4	0.70	4.53	83.3	15.0	5.9
	18.0	7.0	16.2	1850	83.6	5.55	64.7	111.8	4.42	12.9	1850	67.2	44.6	0.66	4.19	81.5	16.0	5.0
				2200	86.4	5.55	67.5	106.4	4.56	11.9	2200	68.5	48.0	0.70	4.46	83.8	15.4	5.6
80	12.0	3.2	7.4	1850	85.7	5.75	66.1	112.9	4.36	13.7	1850	62.9	42.5	0.68	4.68	78.9	13.5	7.3
				2200	88.5	5.71	69.0	107.2	4.54	12.7	2200	64.3	45.9	0.72	4.98	81.2	12.9	7.8
	15.0	4.8	11.1	1850	87.7	5.83	67.8	113.9	4.41	14.1	1850	63.6	42.9	0.68	4.58	79.2	13.9	6.9
				2200	90.5	5.75	70.9	108.1	4.61	13.0	2200	64.9	46.4	0.71	4.87	81.5	13.3	7.4
	18.0	6.7	15.5	1850	90.4	5.91	70.2	115.2	4.48	14.5	1850	64.3	43.6	0.68	4.50	79.6	14.3	6.4
				2200	93.4	5.82	73.5	109.3	4.71	13.4	2200	65.6	46.9	0.71	4.79	81.9	13.7	7.1
90	12.0	3.0	6.9	1850	92.8	6.12	71.9	116.4	4.44	15.4	1850	58.8	40.4	0.69	4.89	75.5	12.0	9.2
				2200	95.8	6.00	75.4	110.3	4.68	14.2	2200	60.1	43.9	0.73	5.21	77.8	11.5	9.8
	15.0	4.5	10.4	1850	94.1	6.19	73.0	117.1	4.45	15.8	1850	59.4	40.8	0.69	4.79	75.7	12.4	8.6
				2200	97.1	6.03	76.6	110.9	4.72	14.7	2200	60.6	44.3	0.73	5.10	78.0	11.9	9.3
	18.0	6.5	15.0	1850	97.3	6.27	75.9	118.7	4.54	16.3	1850	60.1	41.6	0.69	4.71	76.1	12.8	8.0
				2200	100.5	6.09	79.7	112.3	4.84	15.1	2200	61.3	44.7	0.73	5.02	78.4	12.2	8.9
100	12.0	2.9	6.7	Operation not recommended							Operation not recommended							
	15.0	4.4	10.2	1850	57.0	40.2	0.71	5.28	75.0	10.8	10.7	Operation not recommended						
				2200	58.1	43.4	0.75	5.62	77.3	10.3	11.6	Operation not recommended						
	18.0	6.3	14.6	1850	57.6	40.8	0.71	5.19	75.3	11.1	9.9	Operation not recommended						
2200				58.8	43.9	0.75	5.52	77.6	10.6	11.0	Operation not recommended							
110	12.0	2.8	6.5	Operation not recommended							Operation not recommended							
	15.0	4.3	9.9	1850	50.8	37.2	0.73	5.52	69.7	9.2	13.1	Operation not recommended						
				2200	51.9	40.0	0.77	5.87	71.9	8.8	14.2	Operation not recommended						
	18.0	6.1	14.1	1850	51.4	37.6	0.73	5.43	69.9	9.5	12.2	Operation not recommended						
2200				52.5	40.4	0.77	5.77	72.2	9.1	13.5	Operation not recommended							
120	12.0	2.7	6.2	Operation not recommended							Operation not recommended							
	15.0	4.1	9.5	1850	48.2	36.1	0.75	6.06	68.8	8.0	15.8	Operation not recommended						
				2200	49.1	39.0	0.79	6.45	71.1	7.6	17.2	Operation not recommended						
	18.0	5.8	13.4	1850	48.7	36.5	0.75	5.96	69.0	8.2	14.7	Operation not recommended						
				2200	49.7	39.2	0.79	6.32	71.2	7.9	16.3	Operation not recommended						

Wiring Schematics

Dual Capacity Split Wiring Schematic - 208-230/60/1



Wiring Schematics cont.

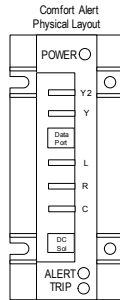
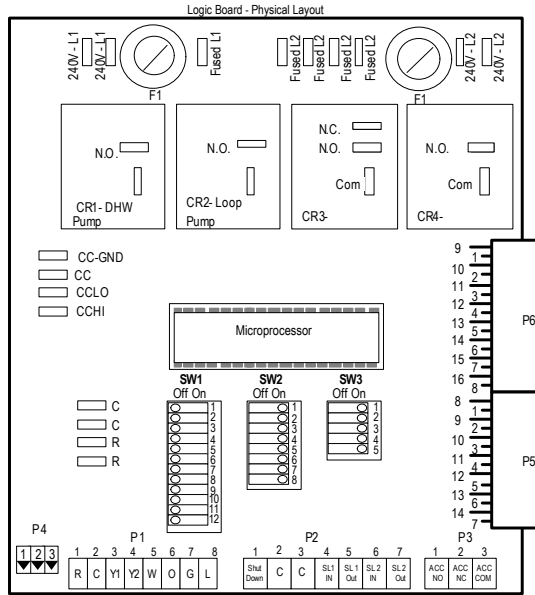
Dual Capacity Split Wiring Schematic - 208-230/60/1 cont.

Notes

- 1 - Connection of remote unit that does not have a loop pump for slave operation.
- 2 - 24V Accessory relay (see SW2-3 for description of operation)
- 3 - Field installed DPDT dual fuel relay. (Required for dual fuel installation)
- 4 - DHW pump only in models with hot water generation option.
- 5 - Comfort Alert fault output to Premier Control Board
- 6 - This Switch allows the unit to down stage with the t-stat when OFF and finish on second stage when ON. Finish second stage reduces stage changing in recip dual capacity compressors and should be ON for unzoned Dual Cap E-Series or Premier 2 speed units.

Legend

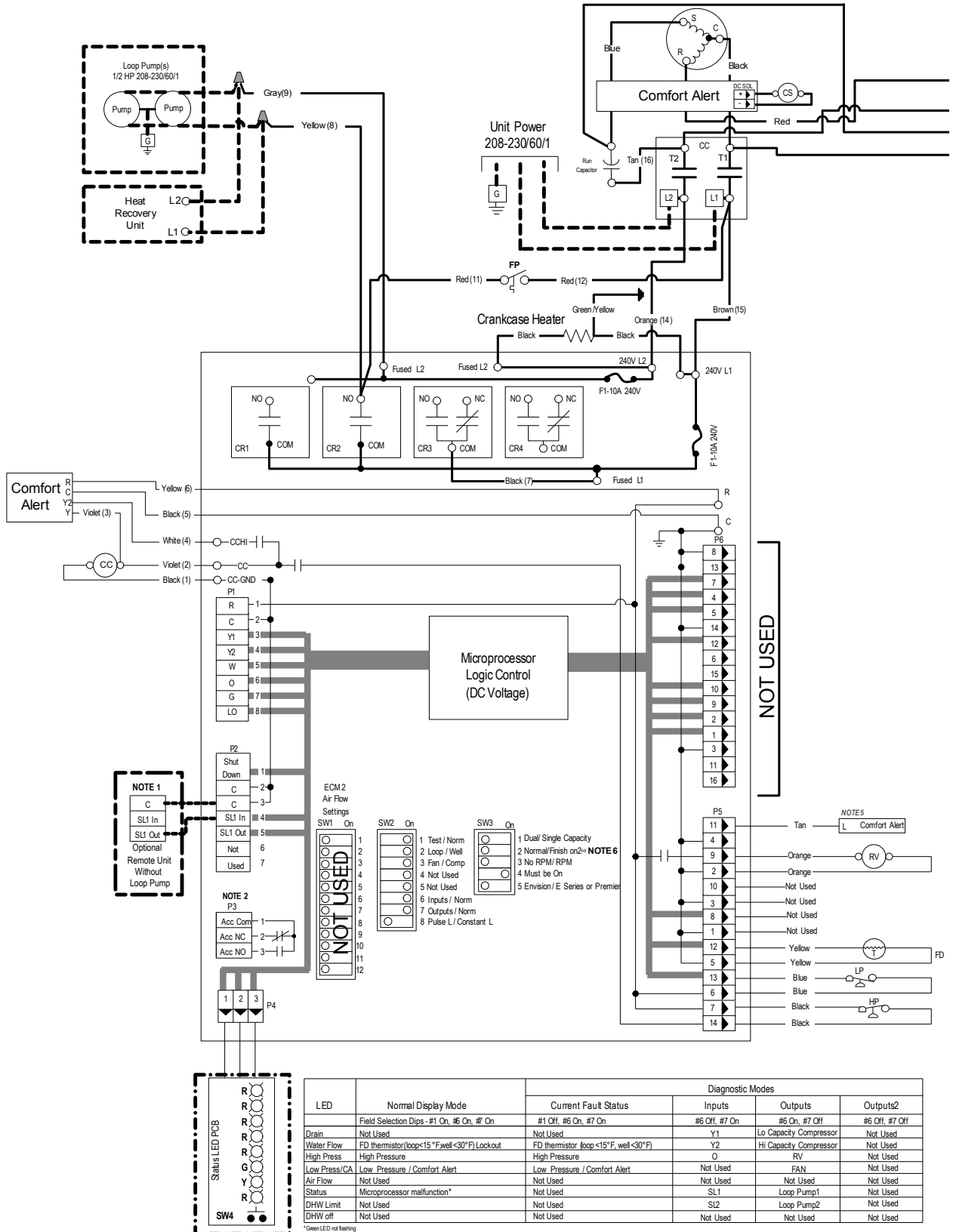
- Factory Low voltage wiring
 - Factory Line voltage wiring
 - Field low voltage wiring
 - Field line voltage wiring
 - Optional block
 - DC Voltage PCB traces
 - Internal junction
 - Quick connect terminal
 - Wire nut
 - Field wire lug
 - Ground
 - Relay Contacts - N.O., N.C.
 - Fuse
-
- CA - Comfort Alert
 - CS - Compressor Solenoid
 - CC - Compressor Contactor
 - CR1 - Not Used
 - CR2 - Loop Pump Relay1
 - CR3 - Loop Pump Relay2
 - CR4 - Not Used
 - F1 and F2 - Fuses
 - FD - Freeze Detection sensor
 - HP - High Pressure Switch
 - LP - Low Pressure Switch
 - RV - Reversing Valve Coil
 - SW1 - Not Used
 - SW2 - DIP Package 8 Position
 - SW3 - DIP Package 5 Position
-
- Crankcase Heater
 - Thermistor
 - Light Emitting Diode - Green
 - Relay Coil
 - Capacitor w/ Bleed Resistor
 - Switch-High Pressure
 - Switch-Low Pressure
 - Polarized Connector



Comfort Alert Status		
LED	Flash Code	Description
Green	Solid	Module Has Power
Red	Solid	Y1 Present But Compressor Not Running
	Code 1	Long Run Time
Yellow	Code 2	System Pressure Trip
	Code 3	Short Cycling
	Code 4	Locked Rotor
	Code 5	Open Circuit
	Code 6	Open Start Circuit
	Code 7	Open Run Circuit
	Code 8	Welded Contactor
	Code 9	Low Voltage

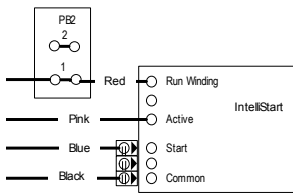
Wiring Schematics cont.

Dual Capacity Split with IntelliStart Wiring Schematic - 208-230/60/1



Wiring Schematics cont.

Dual Capacity Split with IntelliStart Wiring Schematic - 208-230/60/1 cont.



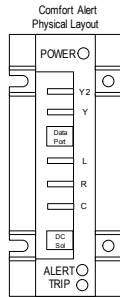
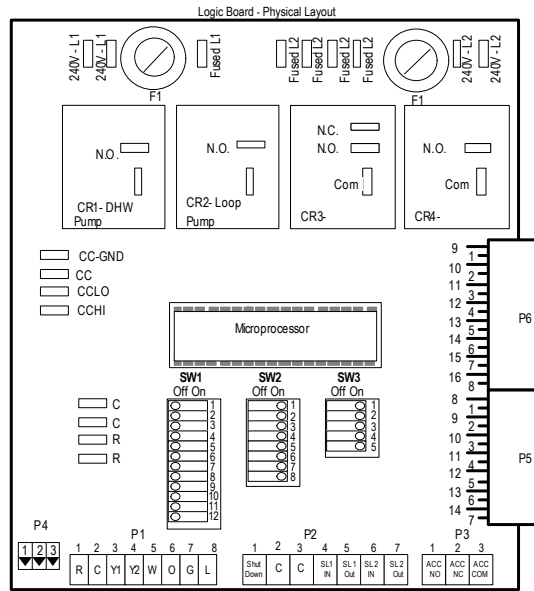
Legend

	Factory Low voltage wiring
	Factory Line voltage wiring
	Field low voltage wiring
	Field line voltage wiring
	Optional block
	DC Voltage PCB traces
	Internal junction
	Quick connect terminal
	Wire nut
	Field wire lug
	Ground
	Relay Contacts - N.O., N.C.
	Fuse

CA-	Comfort Alert
CS-	Compressor Solenoid
CC-	Compressor Contactor
CR1-	Not Used
CR2-	Loop Pump Relay 1
CR3-	Loop Pump Relay 2
CR4-	Not Used
F1 and F2-	Fuses
FP-	Freeze Detection sensor
HP-	High Pressure Switch
LP-	Low Pressure Switch
RV-	Reversing Valve Coil
SW1-	Not Used
SW2-	DIP Package 8 Position
SW3-	DIP Package 5 Position

	Crankcase Heater
	Thermistor
	Light Emitting Diode-Green
	Relay Coil
	Capacitor w/ Bleed Resistor
	Switch-High Pressure
	Switch-Low Pressure

	Polarized Connector
--	---------------------



Comfort Alert Status		
LED	Flash Code	Description
Green	Solid	Module Has Power
Red	Solid	Y1 Present But Compressor Not Running
Yellow	Code 1	Long Run Time
	Code 2	System Pressure Trip
	Code 3	Short Cycling
	Code 4	Locked Rotor
	Code 5	Open Circuit
	Code 6	Open Start Circuit
	Code 7	Open Run Circuit
	Code 8	Welded Contactor
	Code 9	Low Voltage

- ### Notes

 - 1 - Connection of remote unit that does not have a loop pump for slave operation.
 - 2 - 24V Accessory relay (see SW2 -3 for description of operation)
 - 3 - Field installed DPDT dual fuel relay. (Required for dual fuel installation)
 - 4 - DHW pump only in models with hot water generation option.
 - 5 - Comfort Alert fault output to Premier Control Board
 - 6 - This Switch allows the unit to down stage with the t-stat when OFF and finish on second stage when ON. Finish second stage reduces stage changing in recip dual capacity compressors and should be ON for unzoned Dual Cap E Series or Premier 2 speed units.

Microprocessor Control Features and Operation

The NDS control system is a microprocessor-based printed circuit board conveniently located in the unit control box for easy accessibility. The microprocessor control is specifically designed for the Envision Series heat pumps. The microprocessor provides control of the entire unit as well as outputs for status modes, faults, and diagnostics. Low voltage terminal strips provide all necessary terminals for field connections. An LED board is installed for quick diagnostics. The control offers optimal space conditioning. The board accepts traditional 24VAC thermostat inputs.

Startup

The unit will not operate until all the inputs and safety controls are checked for normal conditions. At first power-up, a four-minute delay is employed before the compressor is energized.

Component Sequencing Delays

Components are sequenced and delayed for optimum space conditioning performance.

Accessory Relay

An accessory relay on the control board allows for field connection of solenoid valves, electronic air cleaners, etc. The accessory relay has a normally open output and a normally closed output.

Short Cycle Protection

The control employs a minimum “off” time of four minutes to provide for short cycle protection of the compressor.

Shutdown Mode

A 24VAC common signal to the “shutdown” input on the control board puts the unit into shutdown mode. Compressor and blower operation are suspended.

Safety Controls

The Envision control receives separate signals for a high pressure switch for safety, a low pressure switch to prevent loss of charge damage, and a low suction temperature thermistor for freeze detection. Upon a continuous 30-second measurement of the fault (immediate for high pressure), compressor operation is suspended, the appropriate lockout LED begins flashing. (Refer to the “Fault Retry” section.)

Testing

The Envision control allows service personnel to shorten most timing delays for faster diagnostics.

Fault Retry

All faults are retried twice before finally locking the unit out. An output signal is made available for a fault LED at the thermostat. The “fault retry” feature is designed to prevent nuisance service calls.

Diagnostics

The Envision control board allows all inputs and outputs to be displayed on the LEDs for fast and simple control board diagnosis.

Heating Operation

Heat, 1st Stage (Y1)

The blower motor is started on low speed immediately (PSC ON), the loop pump is energized 5 seconds after the “Y1” input is received, and the compressor is energized on low capacity 10 seconds after the “Y1” input. The blower is switched to medium speed 15 seconds after “Y1” input (ECM only).

Heat, 2nd Stage (Y1,Y2) Dual Capacity Units

The second stage compressor will be activated 5 seconds after receiving a “Y2” input as long as the minimum first stage compressor run time of 1 minute has expired. The ECM blower changes from medium to high speed 15 seconds after the “Y2” input.

The Comfort Alert will delay the second stage compressor until 5 seconds after it receives a “Y2” from the board.

Heat, 3rd Stage (Y1,Y2,W) Dual Capacity Units

The 1st stage of resistance heat is energized 10 seconds after “W” input, and with continuous 3rd stage demand, the additional stages of resistance heat engage 90 seconds after the first stage.

Emergency Heat (W only)

The blower is started on high speed, and the first stage of resistance heat is energized 10 seconds after the “W” input. Continuing demand will engage the additional stages of resistance heat 90 seconds after the first stage.

Cooling Operation

In all cooling operations, the reversing valve directly tracks the “O” input. Thus, anytime the “O” input is present, the reversing valve will be energized.

Cool, 1st Stage (Y1,O)

The blower motor is started immediately, the loop pump(s) is energized 5 seconds after the “Y1” input is received. The compressor will be energized (on low capacity for Dual Capacity units) 10 seconds after the “Y1” input. The ECM

Microprocessor Control cont.

blower will shift from low to medium speed 15 seconds after the “Y1” input (85% of medium speed if in dehumidification mode).

Cool, 2nd Stage (Y1, Y2, O) Single Speed Units

The blower changes to high speed (85% of high speed if in dehumidification mode) 15 seconds after the “Y2” input (ECM only).

Cool, 2nd Stage (Y1, Y2, O) Dual Capacity Units

The second stage compressor will be activated 5 seconds after receiving a “Y2” input as long as the minimum first stage compressor run time of 1 minute has expired. The ECM blower changes to high speed 15 seconds after the “Y2” input (85% of high speed if in dehumidification mode). The Comfort Alert will delay the second stage compressor until 5 seconds after it receives a “Y2” from the board.

Blower (G only)

The blower starts on low speed (PSC ON). Regardless of blower input “G” from thermostat, the blower will remain on low speed for 30 seconds at the end of each heating, cooling or emergency heat cycle.

Lockout Conditions

During lockout mode, the appropriate unit and thermostat lockout LEDs will illuminate. The compressor, loop pump, and accessory outputs are de-energized. The blower will continue to run on low speed. If the thermostat calls for heating, emergency heat operation will occur.

Comfort Alert lockouts cannot be reset at the thermostat. All other lockout modes can be reset at the thermostat after turning the unit off, then on, which restores normal operation but keeps the unit lockout LED illuminated. Interruption of power to the unit will reset a lockout without a waiting period and clear all lockout LEDs.

High Pressure

This lockout mode occurs when the normally closed safety switch is opened momentarily (set at 600 PSI).

Low Pressure

This lockout mode occurs when the normally closed low pressure switch is opened for 30 continuous seconds (set at 40 PSI). A low pressure fault may also be indicated when a Comfort Alert lockout has occurred.

Freeze Detection (Water Flow)

This lockout mode occurs when the freeze detection thermistor temperature is at or below the selected point (well 30°F or loop 15°F) for 30 continuous seconds.

Logic Board - Dual Capacity



Dual Capacity Operation Logic

OPERATION	HEATING			COOLING	
	STG1	STG2	STG3	STG1	STG2*
Compressor-Low	On	Off	Off	On	Off
Compressor-Hi	Off	On	Off	Off	On
Blower	On	On	On	On	On
Loop Pump	On	On	Off	On	On
Reversing Valve	Off	Off	Off	On	On
T-Stat Signal	Y1	Y1, Y2	W	Y1, O	Y1, Y2, O

Microprocessor Control cont.

Compressor Monitoring/Comfort Alert

The Comfort Alert displays abnormal compressor conditions through a unique flash code and communicates the conditions to the heat pump microprocessor control. The heat pump microprocessor will determine which fault to act on and ignore. Fault codes 2 (system pressure), 4 (locked rotor), 6 (open start circuit), and 7 (open run circuit) will result in a lockout. All other fault codes are passive. All com-

pressor alerts are displayed on the module by flashing the yellow Alert LED a specific number of times consecutively followed by a pause, and then repeated. The number of consecutive flashes or "Flash Code" correlates to a specific abnormal condition. The red "TRIP" LED means there is a thermostat demand signal "Y" present but the compressor is not running. The green "POWER" LED means the module has power.

Green "POWER" LED - module has power

Red "TRIP" LED - Thermostat "Y" demand signal is present, but the compressor is not running.

Comfort Alert Flash Codes		
Yellow "ALERT" LED	LED Description	Cause
Flash Code 1	Long Run Time	Eighteen consecutive hours of compressor run time
Flash Code 2	System Pressure Trip	Not applicable
Flash Code 3	Short Cycling	Compressor run time of less than 3 minutes on 4 consecutive cycles
Flash Code 4	Locked Rotor	Four consecutive compressor protector trips indicating compressor won't start
Flash Code 5	Open Circuit	"Y" thermostat demand signal with no compressor current
Flash Code 6	Open Start Circuit	"Y" thermostat demand signal with no current in the start circuit
Flash Code 7	Open Run Circuit	"Y" thermostat demand signal with no current in the run circuit
Flash Code 8	Welded Contactor	Current detected with no "Y" thermostat demand signal present
Flash Code 9	Low Voltage	Less than 17 VAC detected in control circuit

* Flash code number corresponds to a number of LED flashes, followed by a pause and then repeated.

* TRIP and ALERT LEDs flashing at the same time indicates control circuit voltage is too low for operation.

* Reset ALERT flash code by removing 24 VAC power from module.

* Last ALERT flash code is displayed for 1 minute after module is powered on.

Resetting Comfort Alert Codes

Alert codes can be reset manually by cycling power off and on to the Comfort Alert module. Alert codes will reset automatically if conditions return to normal.

Flash Code Number	LED Description	Automatic Reset of Alert Codes
Flash Code 1	Long Run Time	Thirty "alert free" on and off cycles to reset automatically
Flash Code 2	System Pressure Trip	Not applicable
Flash Code 3	Short Cycling	Four "alert free" on and off cycles to reset automatically
Flash Code 4	Locked Rotor	Four "alert free" on and off cycles to reset automatically
Flash Code 5	Open Circuit	One "alert free" on and off cycles to reset automatically
Flash Code 6	Open Start Circuit	One "alert free" on and off cycles to reset automatically
Flash Code 7	Open Run Circuit	One "alert free" on and off cycles to reset automatically
Flash Code 8	Welded Contactor	One "alert free" on and off cycles to reset automatically
Flash Code 9	Low Voltage	Resets when voltage rises above 19 VAC

* Reset ALERT flash code by removing 24 VAC power from module.



Microprocessor Control cont.

Thermostat Displays

Fault Flash

When using a TA32W01 or TP32W02 thermostat and SW2-8 is in the pulsing "L" position, FaultFlash will enable a user to view the thermostat and count the fault indicator flashes to determine the lockout condition the unit is experiencing.

ComforTalk

When using a TP32U03, 04 or 05 thermostat and SW2-8 is in the pulsing "L" position, ComforTalk will enable the user to view the thermostat and determine the fault. The

thermostat can be configured to show either lockout text or lockout codes.

The LED board on the front of the unit will display all lockouts. The Low Pressure LED will flash for a low pressure condition or a Comfort Alert fault. If the low pressure lockout was caused by Comfort Alert codes 4, 6 or 7, then the Comfort Alert will be flashing. If no Comfort Alert code is visible, then it is a low pressure lockout.

The following tables show the codes that will be displayed on the different ComforTalk and FaultFlash thermostats.

FaultFlash Thermostats

TA32W01 and TP32W02 Thermostats	
Thermostat Display Lockout Code	Lockout Description
2 Flashes	High Pressure Fault
3 Flashes	Low Pressure Fault
4 Flashes	Not Applicable
5 Flashes	Water Flow Fault
6 Flashes	Not Applicable
7 Flashes	Condensate Fault
8 Flashes	Voltage out of Range
9 Flashes	RPM Fault
10 Flashes	Comfort Alert Compressor Module Fault

Lockout code 10 - see Comfort Alert module to determine the specific flash code for compressor abnormalities.

ComforTalk Thermostats

TP32U03, TP32U04 and TP32U05 Thermostats	
Thermostat Display Lockout Code	Lockout Description
"High Pressure" or "E2"	High Pressure Fault
"Low Pressure" or "E3"	Low Pressure Fault
"E4"	Not Applicable
"Water Flow" or "E5"	Water Flow Fault
"E6"	Not Applicable
"Condensate" or "E7"	Condensate Fault
"Voltage Range" or "E8"	Voltage out of Range
"RPM" or "E9"	RPM Fault
"Comfort Alert" or "E10"	Comfort Alert Compressor Module Fault

These thermostats can be configured to display the lockout condition "text" or error number. * A slow flash of 1 second on and off means the heat pump microprocessor SW2-1 is configured for "Test Mode" or thermostat is miswired.

Lockout code 10 - see Comfort Alert module to determine the specific flash code for compressor abnormalities.

Engineering Guide Specifications

General

The geothermal heating/cooling units shall be reverse cycle split system configuration designed for use with DX heating and cooling coils. Units shall be AHRI/ISO Standard 13256-1 performance certified and listed by a nationally recognized safety-testing laboratory or agency, such as ETL Testing Laboratory. Each unit shall be computer run-tested at the factory. Each unit shall be mounted on a pallet and stretch-wrapped.

The geothermal units shall be designed to operate with entering liquid temperature between 25°F and 110°F as manufactured by WFI, of Fort Wayne, Indiana.

Casing and Cabinet

The cabinet shall be fabricated from heavy-gauge steel and finished with corrosion-resistant powder coating. The interior shall be insulated with 1/2-inch thick, multi-density, coated glass fiber.

Refrigerant Circuit

All units shall contain a sealed refrigerant circuit including a hermetic motor-compressor, thermostatic expansion valve, reversing valve, coaxial tube water-to-refrigerant heat exchanger, and service ports.

Compressors shall be high-efficiency Ultratech Scroll dual capacity type designed for heat pump duty and mounted on rubber vibration isolators. Compressor motors shall be single-phase PSC with overload protection.

The coaxial water-to-refrigerant heat exchanger shall be designed for low water pressure drop and constructed of a convoluted cupronickel inner tube and a steel outer tube. The thermostatic expansion valve shall provide proper superheat over the entire liquid temperature range with minimal "hunting".

The water-to-refrigerant heat exchanger shall be coated with ThermaShield and refrigerant suction lines shall be insulated to prevent condensation at low liquid temperatures.

Electrical

The control shall provide operational sequencing, high- and low-pressure switch monitoring, lockout mode control, and loop pump control.

A terminal block with screw terminals will be provided for field control wiring. All units shall have knockouts for entrance of low and line voltage wiring.

Optional IntelliStart (Compressor Soft Starter) shall be factory installed for use in applications that require low starting amps, reduced compressor start-up noise, off-grid, and improved start-up behavior. IntelliStart shall reduce normal starting current by 60% on 208/60/1 units.

Piping

Supply and return water connections shall be GeoLink swivel fittings which will connect to optional GeoLink loop pump assembly or 3-way valves. All water piping shall be insulated to prevent condensation at low liquid temperatures.

Accessories

Thermostat (field-installed)

A multi-stage auto-changeover electronic digital thermostat shall be provided. The thermostat shall offer three heating and two cooling stages with precise temperature control. An OFF-HEAT-AUTO-COOL-EMERG system switch, OFF-AUTO blower switch, and indicating LEDs shall be provided. The thermostat shall display in °F or °C. An optional remote outdoor sensor shall be available.

Accessory Relay (field-installed)

An additional low-voltage accessory control relay shall be provided. This SPDT relay shall be capable of operation with any thermostat signal (Y1, O, L). The relay shall be located on a factory-provided mount in the unit low-voltage control wiring compartment.

Internally Mounted GeoLink Flow Center

1 or 2 pump flow center to connect to internally supplied fittings shall be available. Flush and fill fittings shall be available separately.

Decorative Rock Cover

For use with outdoor installations. (Specify brown granite, gray granite, salt and pepper, or charcoal basalt).

Notes

Notes



Manufactured by
WaterFurnace International, Inc.
9000 Conservation Way
Fort Wayne, IN 46809
www.waterfurnace.com

Product: **Envision NDS**
Type: Geothermal/Water Source Outdoor Split
Heat Pump
Size: 2-6 Tons Dual Capacity
Document: Specification Catalog

SC1004SN 06/10